

# IsoFlex™



MINIMIZING VIBRATION



VIBRATION ISOLATION MOUNTS

MARINE INDUSTRIAL POWER GENERATION MINING EQUIPMENT

## About Isoflex

### *High Performance Vibration Isolation*

Isoflex is a leading designer and manufacturer of high quality vibration isolating products. Isoflex products are used in OEM manufacture, new installations and retrofits: anywhere vibration isolation is required.

The company, Isoflex Technologies Pty Ltd, was established in Australia's Gold Coast in 2005 with a mission to make vibration dampening products that surpassed what was available to the marine market. Isoflex mounts are Australian designed and manufactured and are sold factory direct, through our U.S. company branch and through dealers worldwide.

Isoflex vibration dampening mounts are designed to withstand the rigors of marine environments, extending into arduous mining applications as well. These mounts offer at least 85% vibration isolation at the worst case engine idle scenario, and are well equipped for commercial marine, pleasure marine, general, industrial and general applications.

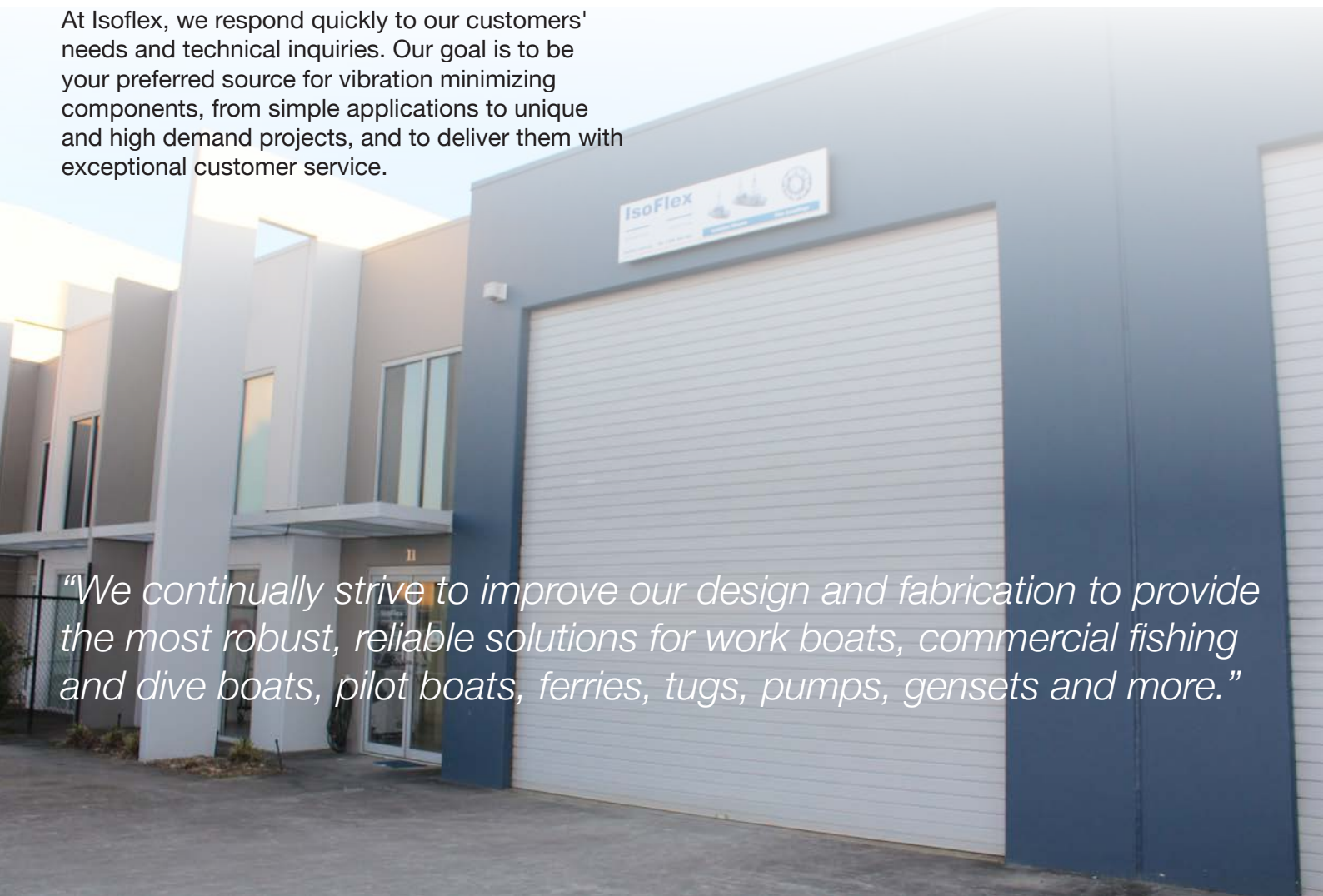
At Isoflex, we respond quickly to our customers' needs and technical inquiries. Our goal is to be your preferred source for vibration minimizing components, from simple applications to unique and high demand projects, and to deliver them with exceptional customer service.



### *The Isoflex Difference*

*Isoflex differentiated itself from the start by using composites and co-polymer instead of rubber or all metal components. This polymer material specifically resists fuel, oils, water and hydraulic fluids.*

*Isoflex products undergo comprehensive testing. They are supported by in-house engineering modeling in 3D, 2D and customized applications. Isoflex isolation mounts are certified by DNV Type Approval.*



*"We continually strive to improve our design and fabrication to provide the most robust, reliable solutions for work boats, commercial fishing and dive boats, pilot boats, ferries, tugs, pumps, gensets and more."*

# Contents

## Isoflex Mounts

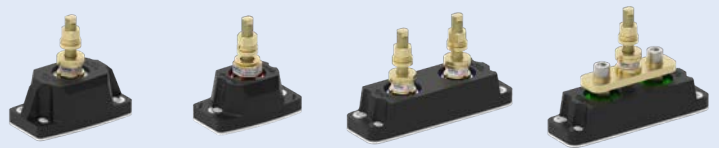
Why Choose an Isoflex Mount? .....4  
 How they Work - Stud Assemblies ..... 5  
 Selecting the Proper Mount & Core .....6



## Adjusting Stud Mounts

("Stealth" IFV and MDV Series)

Single Stud .....7  
 Double Stud and Bridge Style .....10



## Bolt-down Mounts

("Stealth" IFV Series)

Bolt-down .....12



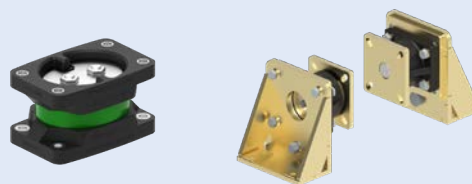
## Machinery Mounts

General Purpose Mounts .....14  
 Light Machinery Mounts .....16  
 Cylindrical Mounts .....18  
 Dual Compression Mounts .....19



## Heavy Duty / Commercial Mounts

Superstructure & Wheelhouse Mounts .....21  
 Trunnion Mounts .....22



## Adjusting Stud Mounts

(Classic M Series)

Single Stud .....23  
 Double Stud and Bridge Style .....25  
 Bolt-down .....27



## Engine Mount Cross Reference Guide

Common Engine Makes/Models .....29

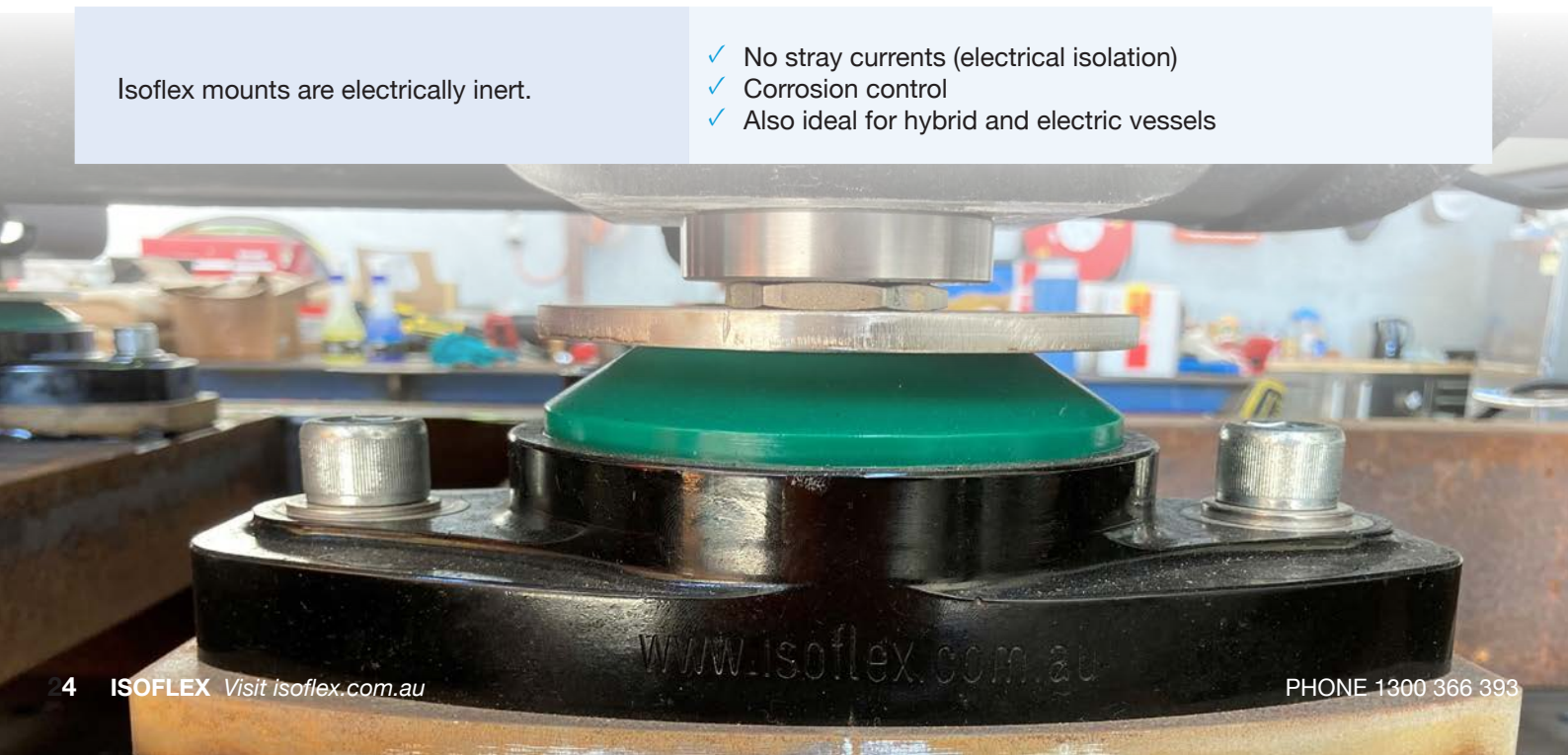


## Why Choose an Isoflex Mount?

### Features

### Benefits

<p>Isoflex pre-lubed swivel adjuster system.</p>	<ul style="list-style-type: none"> <li>✓ Flexibility in alignment</li> <li>✓ Allows for vertical adjustment and up to 4 degrees of misalignment of engine bracket to engine bearer</li> <li>✓ Maximum 10mm (3/8") height adjustment is provided</li> </ul>
<p>Stable vertical lift control.</p>	<ul style="list-style-type: none"> <li>✓ Improved stability</li> <li>✓ Minimizes the effect of thrust lifting the engines</li> </ul>
<p>Isoflex synthetics and co-polymers contain no natural rubber components.</p>	<ul style="list-style-type: none"> <li>✓ Superior resistance to corrosion, rust, oils, fuels, water, hydraulic fluids and climatic conditions</li> </ul>
<p>Tailored pre-installation vibration isolation models can be provided.</p>	<ul style="list-style-type: none"> <li>✓ Knowledgeable, reliable customer service</li> <li>✓ Help determine what will work for your application, even before it's installed</li> </ul>
<p>Optimized vibration isolation &amp; thrust control.</p>	<ul style="list-style-type: none"> <li>✓ Reduced equipment fatigue</li> <li>✓ Less noise</li> <li>✓ Less maintenance</li> </ul>
<p>Isoflex modular mounts can be serviced.</p>	<ul style="list-style-type: none"> <li>✓ Lower long-term cost of ownership</li> <li>✓ Core replacement available</li> </ul>
<p>Isoflex mounts are electrically inert.</p>	<ul style="list-style-type: none"> <li>✓ No stray currents (electrical isolation)</li> <li>✓ Corrosion control</li> <li>✓ Also ideal for hybrid and electric vessels</li> </ul>



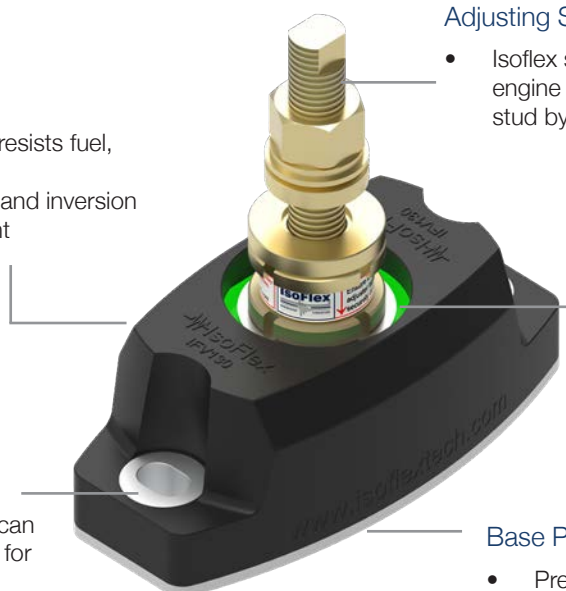
## Adjusting Stud Mounts - How they Work

### Mount Base

- Resilient polymer element resists fuel, oils, water, hydraulic fluids
- Fail-safe design can withstand inversion
- Robust and shock resistant

### Base Inserts

- Corrosion-resistant marine alloy hold-down bolt slots can be rotated to any direction for easier installation



### Adjusting Stud Assembly

- Isoflex self-aligning swivel adjusters allow for precise engine alignment, providing support to the high tensile stud by a factor of 3

### Resilient Core

- Fully encapsulated core is located in the mount base
- Significantly determines the axial, lateral and inverted stiffness and most importantly, thrust control
- 8 durometer options to fine tune the specific application

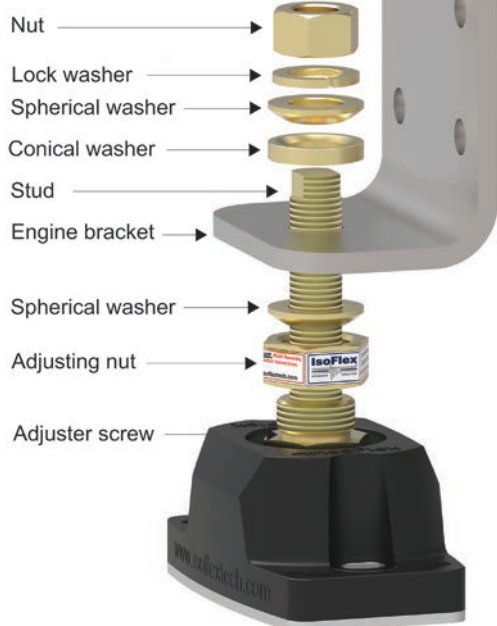
### Base Plate

- Precision laser-cut base plate secures core components inside base
- Available with IFV90 and larger mounts

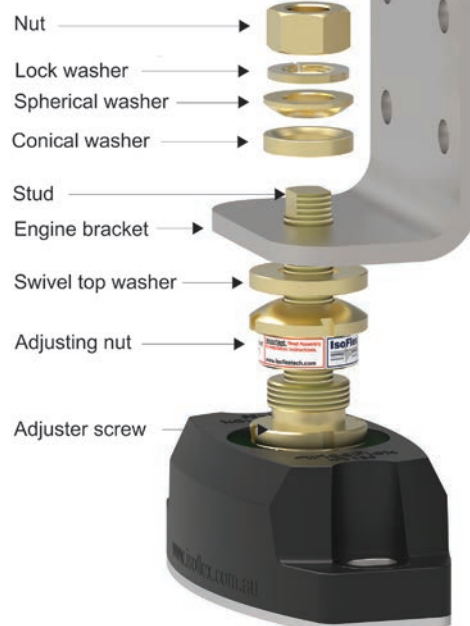
## Stud Assemblies

ANS type and AST type adjusters are used on M20 and M24 stud sizes. These adjusters provide for up to 4 degrees of misalignment of engine brackets to engine bearers and provide for a maximum 10mm (3/8") height adjustment.

### ANS Stud Assembly (Regular Duty)



### AST Stud Assembly (Heavy Duty)



# Selecting the Proper Mount and Core

Most Isoflex mounts are modular, which means they can be configured and rebuilt easily using different core durometers. Each unique core produces a specific vibration isolation characteristic. The shape and durometer of each core maximize vibration and load-carrying stability.



## Step 1 - Vessel / Equipment Information

Describe vessel type, size, hull type.



## Step 2 - Engine & Transmission Configuration

Describe engine arrangement, engine make and model, horse power rating, transmission model and gear reduction ratio.



## Step 3 - Current Mount Configuration

(# of mounts needed and weight)

Describe current engine layout and mount location, number of mounts (typical 4-mount or 6-mount configuration), current mount dimensions if applicable.



## Step 4 - Select the proper base

Determine bolt centers and stud size needed and any height restrictions to select the correct mount base.



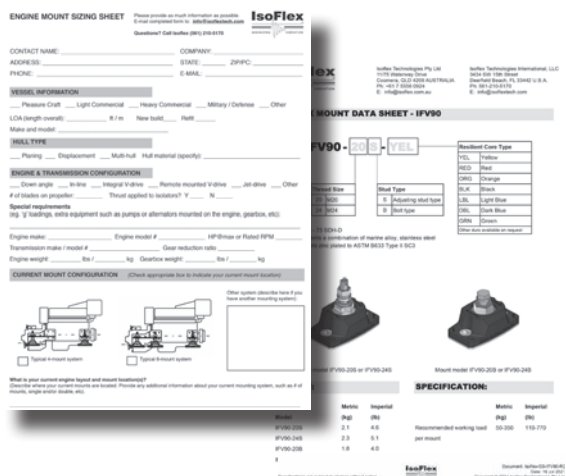
## Step 5 - Data Sheets

Review data sheets for mount selected and determine proper core based on mass and thrust of the application.



## Step 6 - Vibration profile

If required, Isoflex may modify the mounting system of the application to suit the installation.



### Available at [isoflex.com.au](http://isoflex.com.au)

- ✓ Engine mount sizing worksheet
- ✓ Deflection worksheet
- ✓ Data sheets
- ✓ Installation instructions



## ADJUSTING STUD MOUNTS

### "Stealth" IFV Mount Series

Isoflex IFV Mounts are specifically designed for marine and diesel engines where thrust is applied. They are also used in generators, pumps and machinery. These adjusting stud mounts are used in applications where engine alignment is required.

- All Isoflex mounts are modular: they can be configured and rebuilt easily.
- Adjustable mounts come standard with ANS or AST swivel adjusters to provide up to 4 degrees of engine bracket to bearer misalignment.
- Swivel adjusters are fitted to 20mm and 24mm studs on most mounts and contain a fine thread for precision adjustment.
- Up to 8 durometer core options available to fine tune the specific application.
- Fail-safe/captured design.
- Designed to directly retrofit most OEM mounts.



## Isoflex Mount Packing Shim

This easy-to-install packing shim for marine engine mounts is designed to lift the mount to the correct height for the engine bracket. It ensures the engine bracket sits as low as possible on the mount's adjuster stud.

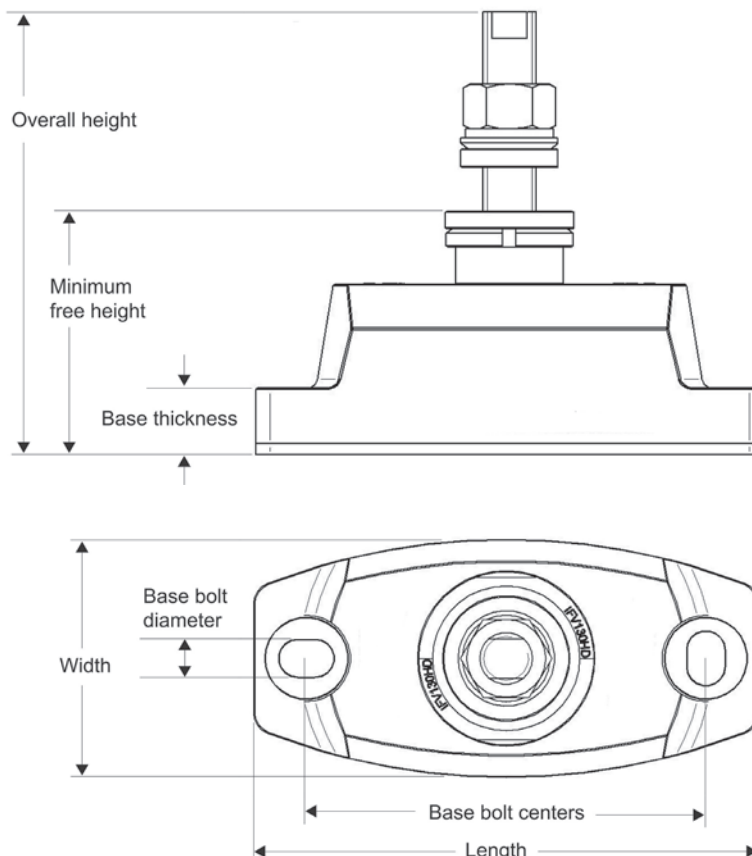
Used with the Isoflex swivel adjuster system, it eliminates the need for chocking compound.

Available in two thicknesses:  
1/4" (approx 6mm)  
3/8" (approx 10mm)



*Installs easily from the side.*

## DIMENSIONS





## ADJUSTING STUD MOUNTS

### "Stealth" IFV Mount Series

#### METRIC DIMENSIONS

MOUNT	RECOMMENDED WORKING LOAD PER MOUNT	BASE FOOTPRINT L X W	BASE BOLT CENTERS	BASE BOLT DIAMETER	NO. OF BASE BOLTS	BASE THICKNESS	STUD DIAMETER	MIN. FREE HEIGHT	OVERALL HEIGHT	WEIGHT
	(kg)	(mm)	(mm)	(mm)		(mm)		(mm)	(mm)	(kg)
IFV30-16S	25 - 150	220 x 75	174	12	2	20	M16	95	144	1.1
IFV55-12S	25 - 150	140 x 75	102	10	2	15	M12	60	104	0.5
IFV55-16S	25 - 150	140 x 75	102	10	2	15	M16	65	114	0.7
IFV75-16S	75 - 300	177 x 100	127	12	2	20	M16	74	132	1.1
IFV75-20S	75 - 300	177 x 100	127	12	2	20	M20	80	142	1.3
IFV85-16S	75 - 300	188 x 100	140	12	2	20	M16	74	132	1.1
IFV85-20S	75 - 300	188 x 100	140	12	2	20	M20	80	142	1.3
IFV90-20S	50 - 350	177 x 100	127	12	2	25	M20	100	170	2.1
IFV90-24S	50 - 350	177 x 100	127	12	2	25	M24	100	200	2.3
IFV100-20S	50 - 350	188 x 100	140	12	2	25	M20	100	170	2.2
IFV100-24S	50 - 350	188 x 100	140	12	2	25	M24	100	200	2.4
IFV110-20S	50 - 350	220 x 100	170	16	2	30	M20	120	190	2.7
IFV110-24S	50 - 350	220 x 100	170	16	2	30	M24	120	220	2.9
IFV125HD-20S	150 - 600	230 x 110	170	16	2	30	M20	134	195	3.6
IFV125HD-24S	150 - 600	230 x 110	170	16	2	30	M24	134	225	3.7
IFV125XHD-20S	150 - 850	230 x 110	170	16	2	30	M20	134	195	3.6
IFV125XHD-24S	150 - 850	230 x 110	170	16	2	30	M24	134	225	3.7
IFV127HD-20S	150 - 600	230 x 110	182	16	2	30	M20	134	195	3.5
IFV127HD-24S	150 - 600	230 x 110	182	16	2	30	M24	134	225	3.6
IFV127XHD-20S	150 - 850	230 x 110	182	16	2	30	M20	134	195	3.5
IFV127XHD-24S	150 - 850	230 x 110	182	16	2	30	M24	134	225	3.6
IFV130HD-20S	150 - 600	230 x 110	182	16	2	30	M20	110	170	3.0
IFV130HD-24S	150 - 600	230 x 110	182	16	2	30	M24	110	200	3.1
IFV130HDLP-20S	150 - 600	230 x 110	182	16	2	30	M20	95	170	2.7
IFV130HDLP-24S	150 - 600	230 x 110	182	16	2	30	M24	95	200	2.8
IFV130XHD-20S	150 - 850	230 x 110	182	16	2	30	M20	110	170	3.0
IFV130XHD-24S	150 - 850	230 x 110	182	16	2	30	M24	110	200	3.1
IFV130XHDLP-20S	150 - 850	230 x 110	182	16	2	30	M20	95	170	2.7
IFV130XHDLP-24S	150 - 850	230 x 110	182	16	2	30	M24	95	200	2.8
IFV136XHD-24S	600 - 1400	230 x 127	182	16	2	30	M24	134	215	4.3
IFV139XHD-24S	600 - 1400	240 x 127	185 x 65	16	4	30	M24	134	215	4.3
IFV140XHD-24S	600 - 1400	275 x 127	230	16	2	30	M24	134	215	4.9



## ADJUSTING STUD MOUNTS

### "Stealth" IFV Mount Series

#### IMPERIAL DIMENSIONS

MOUNT	RECOMMENDED WORKING LOAD PER MOUNT	BASE FOOTPRINT L X W	BASE BOLT CENTERS	BASE BOLT DIAMETER	NO. OF BASE BOLTS	BASE THICKNESS	STUD DIAMETER	MIN. FREE HEIGHT	OVERALL HEIGHT	WEIGHT
	(lb)	(in)	(in)	(in)		(in)		(in)	(in)	(lb)
IFV30-16S	55 - 330	8.66 x 2.95	6.85	1/2	2	0.79	M16 (5/8" approx)	3.74	5.67	2.4
IFV55-12S	55 - 330	5.51 x 2.95	4.00	3/8	2	0.59	M12 (1/2" approx)	2.36	4.09	1.1
IFV55-16S	55 - 330	5.51 x 2.95	4.00	3/8	2	0.59	M16 (5/8" approx)	2.56	4.49	1.5
IFV75-16S	165 - 660	6.97 x 3.94	5.00	1/2	2	0.79	M16 (5/8" approx)	2.91	5.20	2.4
IFV75-20S	165 - 660	6.97 x 3.94	5.00	1/2	2	0.79	M20 (3/4" approx)	3.15	5.59	2.9
IFV85-16S	165 - 660	7.40 x 3.94	5.51	1/2	2	0.79	M16 (5/8" approx)	2.91	5.20	2.4
IFV85-20S	165 - 660	7.40 x 3.94	5.51	1/2	2	0.79	M20 (3/4" approx)	3.15	5.59	2.9
IFV90-20S	110 - 770	6.97 x 3.94	5.00	1/2	2	0.98	M20 (3/4" approx)	3.94	6.69	4.6
IFV90-24S	110 - 770	6.97 x 3.94	5.00	1/2	2	0.98	M24 (1" approx)	3.94	7.87	5.1
IFV100-20S	110 - 770	7.40 x 3.94	5.51	1/2	2	0.98	M20 (3/4" approx)	3.94	6.69	4.8
IFV100-24S	110 - 770	7.40 x 3.94	5.51	1/2	2	0.98	M24 (1" approx)	3.94	7.87	5.3
IFV110-20S	110 - 770	8.66 x 3.94	6.69	5/8	2	1.18	M20 (3/4" approx)	4.72	7.48	6.0
IFV110-24S	110 - 770	8.66 x 3.94	6.69	5/8	2	1.18	M24 (1" approx)	4.72	8.66	6.4
IFV125HD-20S	330 - 1320	9.06 x 4.33	6.69	5/8	2	1.18	M20 (3/4" approx)	5.28	7.68	7.9
IFV125HD-24S	330 - 1320	9.06 x 4.33	6.69	5/8	2	1.18	M24 (1" approx)	5.28	8.86	8.1
IFV125XHD-20S	330 - 1870	9.06 x 4.33	6.69	5/8	2	1.18	M20 (3/4" approx)	5.28	7.68	7.9
IFV125XHD-24S	330 - 1870	9.06 x 4.33	6.69	5/8	2	1.18	M24 (1" approx)	5.28	8.86	8.1
IFV127HD-20S	330 - 1320	9.06 x 4.33	7.17	5/8	2	1.18	M20 (3/4" approx)	5.28	7.68	7.7
IFV127HD-24S	330 - 1320	9.06 x 4.33	7.17	5/8	2	1.18	M24 (1" approx)	5.28	8.86	7.9
IFV127XHD-20S	330 - 1870	9.06 x 4.33	7.17	5/8	2	1.18	M20 (3/4" approx)	5.28	7.68	7.7
IFV127XHD-24S	330 - 1870	9.06 x 4.33	7.17	5/8	2	1.18	M24 (1" approx)	5.28	8.86	7.9
IFV130HD-20S	330 - 1320	9.06 x 4.33	7.17	5/8	2	1.18	M20 (3/4" approx)	4.33	6.69	6.6
IFV130HD-24S	330 - 1320	9.06 x 4.33	7.17	5/8	2	1.18	M24 (1" approx)	4.33	7.87	6.8
IFV130HDLP-20S	330 - 1320	9.06 x 4.33	7.17	5/8	2	1.18	M20 (3/4" approx)	3.74	6.69	6.0
IFV130HDLP-24S	330 - 1320	9.06 x 4.33	7.17	5/8	2	1.18	M24 (1" approx)	3.74	7.87	6.2
IFV130XHD-20S	330 - 1870	9.06 x 4.33	7.17	5/8	2	1.18	M20 (3/4" approx)	4.33	6.69	6.6
IFV130XHD-24S	330 - 1870	9.06 x 4.33	7.17	5/8	2	1.18	M24 (1" approx)	4.33	7.87	6.8
IFV130XHDLP-20S	330 - 1870	9.06 x 4.33	7.17	5/8	2	1.18	M20 (3/4" approx)	3.74	6.69	5.9
IFV130XHDLP-24S	330 - 1870	9.06 x 4.33	7.17	5/8	2	1.18	M24 (1" approx)	3.74	7.87	6.2
IFV136XHD-24S	1320 - 3080	9.06 x 5.00	7.17	5/8	2	1.18	M24 (1" approx)	5.28	8.46	9.5
IFV139XHD-24S	1320 - 3080	9.45 x 5.00	7.28 x 2.56	5/8	4	1.18	M24 (1" approx)	5.28	8.46	9.5
IFV140XHD-24S	1320 - 3080	10.83 x 5.00	9.00	5/8	2	1.18	M24 (1" approx)	5.28	8.46	10.8

## ADJUSTING STUD MOUNTS (Double and Bridge Style)

### "Stealth" MDV Mount Series

Double stud mounts and bridge style mounts (a bridge with one stud) are generally used for applications with high weight demands and/or higher thrust loads. They can be used in situations where six-mount systems have been used previously. These mounts make adjustment easier and more accurate, and work very well for V-drive engines for added stability.

Used in marine and high performance applications including pilot boats, crew patrol boats, high speed RHIBS, fishing and dive vessels, pleasure craft and military spec.



#### METRIC DIMENSIONS - DOUBLE STUD

MOUNT	RECOMMENDED WORKING LOAD PER MOUNT	BASE FOOTPRINT L X W	BASE BOLT CENTERS	BASE BOLT DIAMETER	NO. OF BASE BOLTS	BASE THICKNESS	STUD DIAMETER	DISTANCE BETWEEN STUDS	MIN. FREE HEIGHT	OVERALL HEIGHT	WEIGHT
	(kg)	(mm)	(mm)	(mm)		(mm)		(mm)	(mm)	(mm)	(kg)
MDV90-20DS	100 - 700	280 x 100	230	12	2	25	2 x M20	90	100	170	4.2
MDV100-24DS	100 - 700	300 x 100	250	12	2	25	2 x M24	110	100	200	4.8
MDV125HD-24DS	300 - 1200	370 x 110	308	16	2	30	2 x M24	140	134	224	7.2
MDV125XHD-24DS	300 - 1800	370 x 110	308	16	2	30	2 x M24	140	134	224	7.2
MDV128HD-24DS	300 - 1200	370 x 110	308 x 60	16	4	30	2 x M24	140	110	200	6.3
MDV128XHD-24DS	300 - 1800	370 x 110	308 x 60	16	4	30	2 x M24	140	110	200	6.3
MDV130HD-24DS	300 - 1200	370 x 110	308	16	2	30	2 x M24	140	110	200	6.2
MDV130XHD-24DS	300 - 1800	370 x 110	308	16	2	30	2 x M24	140	110	200	6.2
MDV131HD-24DS	300 - 1200	405 x 110	356	16	2	30	2 x M24	180	110	200	6.3
MDV131XHD-24DS	300 - 1800	405 x 110	356	16	2	30	2 x M24	180	110	200	6.3

#### IMPERIAL DIMENSIONS - DOUBLE STUD

MOUNT	RECOMMENDED WORKING LOAD PER MOUNT	BASE FOOTPRINT L X W	BASE BOLT CENTERS	BASE BOLT DIAMETER	NO. OF BASE BOLTS	BASE THICKNESS	STUD DIAMETER	DISTANCE BETWEEN STUDS	MIN. FREE HEIGHT	OVERALL HEIGHT	WEIGHT
	(lb)	(in)	(in)	(in)		(in)		(in)	(in)	(in)	(lb)
MDV90-20DS	220 - 1540	11.02 x 3.94	9.06	1/2	2	0.98	2 x M20 (3/4" approx)	3.54	3.94	6.69	9.2
MDV100-24DS	220 - 1540	11.81 x 3.94	9.84	1/2	2	0.98	2 x M24 (1" approx)	4.33	3.94	7.87	10.6
MDV125HD-24DS	660 - 2640	14.57 x 4.33	12.13	5/8	2	1.18	2 x M24 (1" approx)	5.51	5.28	8.82	15.8
MDV125XHD-24DS	660 - 3970	14.57 x 4.33	12.13	5/8	2	1.18	2 x M24 (1" approx)	5.51	5.28	8.82	15.8
MDV128HD-24DS	660 - 2640	14.57 x 4.33	12.13 x 2.36	5/8	4	1.18	2 x M24 (1" approx)	5.51	4.33	7.87	13.9
MDV128XHD-24DS	660 - 3970	14.57 x 4.33	12.13 x 2.36	5/8	4	1.18	2 x M24 (1" approx)	5.51	4.33	7.87	13.9
MDV130HD-24DS	660 - 2640	14.57 x 4.33	12.13	5/8	2	1.18	2 x M24 (1" approx)	5.51	4.33	7.87	13.6
MDV130XHD-24DS	660 - 3970	14.57 x 4.33	12.13	5/8	2	1.18	2 x M24 (1" approx)	5.51	4.33	7.87	13.6
MDV131HD-24DS	660 - 2640	15.94 x 4.33	14.02	5/8	2	1.18	2 x M24 (1" approx)	7.09	4.33	7.87	13.9
MDV131XHD-24DS	660 - 3970	15.94 x 4.33	14.02	5/8	2	1.18	2 x M24 (1" approx)	7.09	4.33	7.87	13.9

## ADJUSTING STUD MOUNTS (Double and Bridge Style)

### "Stealth" MDV Mount Series

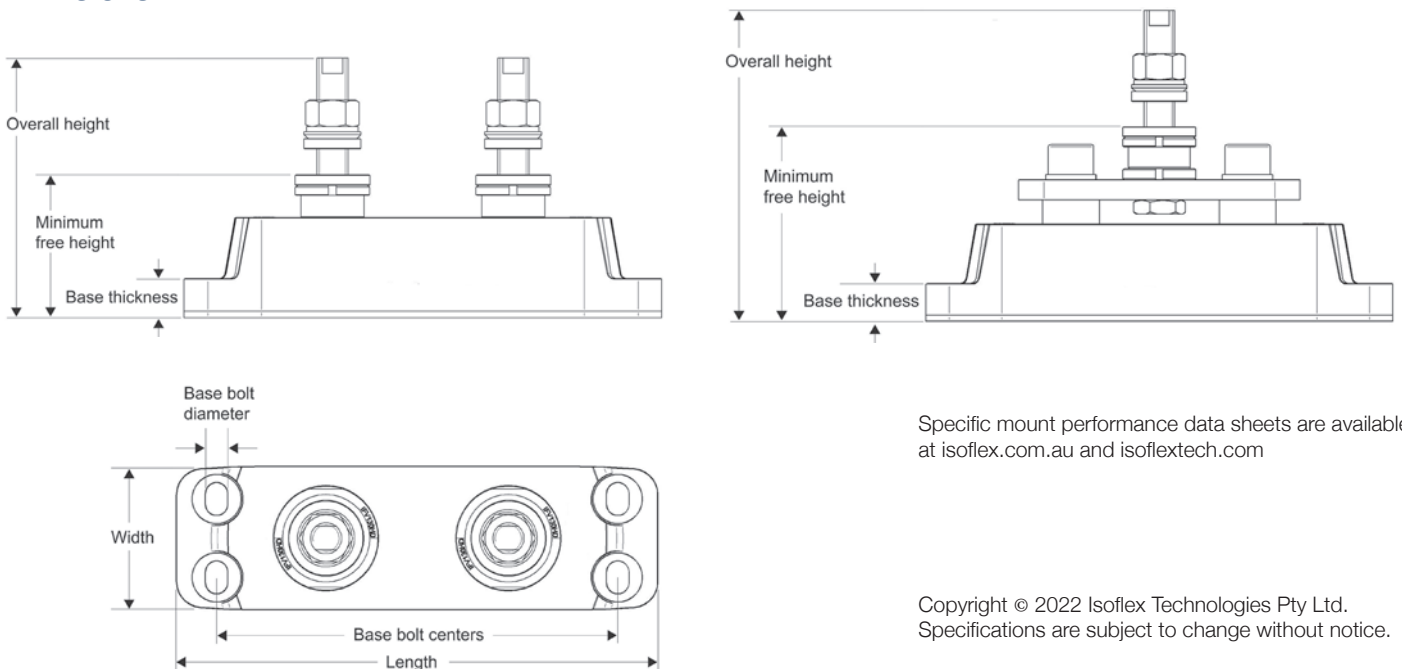
#### METRIC DIMENSIONS - BRIDGE STYLE

MOUNT	RECOMMENDED WORKING LOAD PER MOUNT	BASE FOOTPRINT L X W	BASE BOLT CENTERS	BASE BOLT DIAMETER	NO. OF BASE BOLTS	BASE THICKNESS	STUD DIAMETER	MIN. FREE HEIGHT	OVERALL HEIGHT	WEIGHT
	(kg)	(mm)	(mm)	(mm)		(mm)		(mm)	(mm)	(kg)
MDV100-24SB	100 - 700	300 x 100	250	12	2	25	M24	140	245	6.3
MDV128HD-24SB	300 - 1200	370 x 110	308 x 60	16	4	30	M24	154	246	8.0
MDV128XHD-24SB	300 - 1800	370 x 110	308 x 60	16	4	30	M24	154	246	8.0
MDV130HD-24SB	300 - 1200	370 x 110	308	16	2	30	M24	154	246	7.9
MDV130XHD-24SB	300 - 1800	370 x 110	308	16	2	30	M24	154	246	7.9

#### IMPERIAL DIMENSIONS - BRIDGE STYLE

MOUNT	RECOMMENDED WORKING LOAD PER MOUNT	BASE FOOTPRINT L X W	BASE BOLT CENTERS	BASE BOLT DIAMETER	NO. OF BASE BOLTS	BASE THICKNESS	STUD DIAMETER	MIN. FREE HEIGHT	OVERALL HEIGHT	WEIGHT
	(lb)	(in)	(in)	(in)		(in)		(in)	(in)	(lb)
MDV100-24SB	220 - 1540	11.81 x 3.94	9.84	1/2	2	0.98	M24 (1" approx)	5.51	9.65	13.9
MDV128HD-24SB	660 - 2640	14.57 x 4.33	12.13 x 2.36	5/8	4	1.18	M24 (1" approx)	6.06	9.69	17.6
MDV128XHD-24SB	660 - 3970	14.57 x 4.33	12.13 x 2.36	5/8	4	1.18	M24 (1" approx)	6.06	9.69	17.6
MDV130HD-24SB	660 - 2640	14.57 x 4.33	12.13	5/8	2	1.18	M24 (1" approx)	6.06	9.69	17.4
MDV130XHD-24SB	660 - 3970	14.57 x 4.33	12.13	5/8	2	1.18	M24 (1" approx)	6.06	9.69	17.4

## DIMENSIONS



Specific mount performance data sheets are available at [isoflex.com.au](http://isoflex.com.au) and [isoflextech.com](http://isoflextech.com)

Copyright © 2022 Isoflex Technologies Pty Ltd. Specifications are subject to change without notice.

## BOLT-DOWN MOUNTS

### "Stealth" IFV Mount Series

Bolt-down style mounts have the same structure and fabrication as the adjustable mounts, but do not include the adjusting stud component. Shims may be required to fine-tune the adjustment.

Isoflex bolt-down engine and machinery mounts are designed for marine, mining, industrial machinery and are commonly found on generators, water makers and pumps.

- All Isoflex mounts are modular: they can be configured and rebuilt easily.
- Up to 8 durometer core options available to fine tune the specific application.
- Engineered polymer base and cores provide exceptional resistance to fuels, oils and water.
- Fail-safe/captured design.



### METRIC DIMENSIONS

MOUNT	RECOMMENDED WORKING LOAD PER MOUNT	BASE FOOTPRINT L X W	BASE BOLT CENTERS	BASE BOLT DIAMETER	BASE THICKNESS	BOLT DIAMETER	MIN. FREE HEIGHT	WEIGHT
	(kg)	(mm)	(mm)	(mm)	(mm)		(mm)	(kg)
IFV90-20B	50 - 350	177 x 100	127	12	25	M20	90	1.8
IFV90-24B	50 - 350	177 x 100	127	12	25	M24	90	1.8
IFV100-20B	50 - 350	188 x 100	140	12	25	M20	90	1.9
IFV100-24B	50 - 350	188 x 100	140	12	25	M24	90	1.9
IFV110-20B	50 - 350	220 x 100	170	16	30	M20	110	2.4
IFV110-24B	50 - 350	220 x 100	170	16	30	M24	110	2.4
IFV125HD-20B	150 - 600	230 x 110	170	16	30	M20	114	2.9
IFV125HD-24B	150 - 600	230 x 110	170	16	30	M24	114	2.9
IFV125XHD-20B	150 - 850	230 x 110	170	16	30	M20	114	2.9
IFV125XHD-24B	150 - 850	230 x 110	170	16	30	M24	114	2.9
IFV127HD-20B	150 - 600	230 x 110	182	16	30	M20	114	2.8
IFV127HD-24B	150 - 600	230 x 110	182	16	30	M24	114	2.8
IFV127XHD-20B	150 - 850	230 x 110	182	16	30	M20	114	2.8
IFV127XHD-24B	150 - 850	230 x 110	182	16	30	M24	114	2.8
IFV130HD-20B	150 - 600	230 x 110	182	16	30	M20	90	2.3
IFV130HD-24B	150 - 600	230 x 110	182	16	30	M24	90	2.3
IFV130XHD-20B	150 - 850	230 x 110	182	16	30	M20	90	2.3
IFV130XHD-24B	150 - 850	230 x 110	182	16	30	M24	90	2.3
IFV136XHD-24B	600 - 1400	230 x 127	182	16	30	M24	114	3.6
IFV139XHD-24B	600 - 1400	240 x 127	185 x 65	16	30	M24	114	3.6
IFV140XHD-24B	600 - 1400	275 x 127	230	16	30	M24	114	4.2



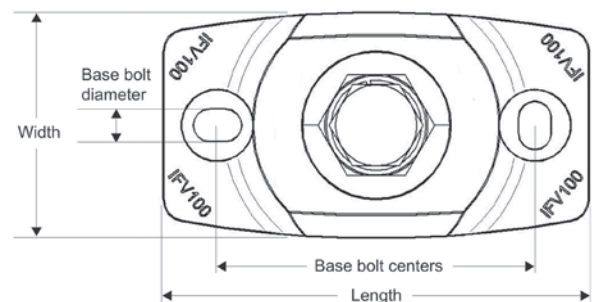
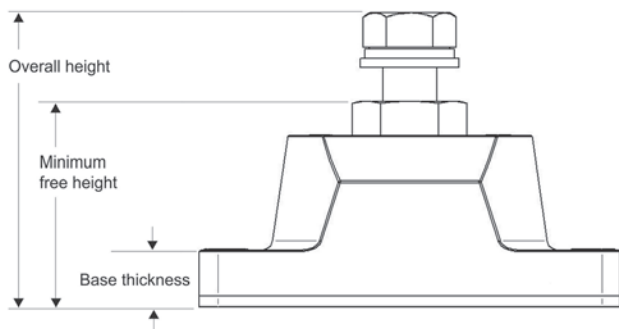
## BOLT-DOWN MOUNTS

"Stealth" IFV Mount Series

### IMPERIAL DIMENSIONS

MOUNT	RECOMMENDED WORKING LOAD PER MOUNT	BASE FOOTPRINT L X W	BASE BOLT CENTERS	BASE BOLT DIAMETER	BASE THICKNESS	BOLT DIAMETER	MIN. FREE HEIGHT	WEIGHT
	(lb)	(in)	(in)	(in)	(in)		(in)	(lb)
IFV90-20B	110 - 770	6.97 x 3.94	5.00	1/2	0.98	M20 (3/4" approx)	3.54	4.0
IFV90-24B	110 - 770	6.97 x 3.94	5.00	1/2	0.98	M24 (1" approx)	3.54	4.0
IFV100-20B	110 - 770	7.40 x 3.94	5.51	1/2	0.98	M20 (3/4" approx)	3.54	4.2
IFV100-24B	110 - 770	7.40 x 3.94	5.51	1/2	0.98	M24 (1" approx)	3.54	4.2
IFV110-20B	110 - 770	8.66 x 3.94	6.69	5/8	1.18	M20 (3/4" approx)	4.33	5.3
IFV110-24B	110 - 770	8.66 x 3.94	6.69	5/8	1.18	M24 (1" approx)	4.33	5.3
IFV125HD-20B	330 - 1320	9.06 x 4.33	6.69	5/8	1.18	M20 (3/4" approx)	4.48	6.4
IFV125HD-24B	330 - 1320	9.06 x 4.33	6.69	5/8	1.18	M24 (1" approx)	4.48	6.4
IFV125XHD-20B	330 - 1870	9.06 x 4.33	6.69	5/8	1.18	M20 (3/4" approx)	4.48	6.4
IFV125XHD-24B	330 - 1870	9.06 x 4.33	6.69	5/8	1.18	M24 (1" approx)	4.48	6.4
IFV127HD-20B	330 - 1320	9.06 x 4.33	7.17	5/8	1.18	M20 (3/4" approx)	4.48	6.2
IFV127HD-24B	330 - 1320	9.06 x 4.33	7.17	5/8	1.18	M24 (1" approx)	4.48	6.2
IFV127XHD-20B	330 - 1870	9.06 x 4.33	7.17	5/8	1.18	M20 (3/4" approx)	4.48	6.2
IFV127XHD-24B	330 - 1870	9.06 x 4.33	7.17	5/8	1.18	M24 (1" approx)	4.48	6.2
IFV130HD-20B	330 - 1320	9.06 x 4.33	7.17	5/8	1.18	M20 (3/4" approx)	3.54	5.1
IFV130HD-24B	330 - 1320	9.06 x 4.33	7.17	5/8	1.18	M24 (1" approx)	3.54	5.1
IFV130XHD-20B	330 - 1870	9.06 x 4.33	7.17	5/8	1.18	M20 (3/4" approx)	3.54	5.1
IFV130XHD-24B	330 - 1870	9.06 x 4.33	7.17	5/8	1.18	M24 (1" approx)	3.54	5.1
IFV136XHD-24B	1320 - 3080	9.06 x 5.00	7.17	5/8	1.18	M24 (1" approx)	4.48	7.9
IFV139XHD-24B	1320 - 3080	9.45 x 5.00	7.28 x 2.56	5/8	1.18	M24 (1" approx)	4.48	7.9
IFV140XHD-24B	1320 - 3080	10.83 x 5.00	9.00	5/8	1.18	M24 (1" approx)	4.48	9.3

### DIMENSIONS



## GENERAL PURPOSE MACHINERY MOUNTS

*Vibration control for non-thrust applications*

Isoflex general purpose mounts are a cost effective choice for many different applications where there is no thrust involved. These are made with highly resistant co-polymer for excellent durability and longevity.

Used in general applications where vibration can be an issue, including air conditioning units, pumps, compressors, generators, mobile light towers, construction equipment and machinery.



### METRIC DIMENSIONS

MOUNT	RECOMMENDED WORKING LOAD PER MOUNT	BASE FOOTPRINT L X W	BASE BOLT CENTERS	BASE BOLT DIAMETER	NO. OF BASE BOLTS	BASE THICKNESS	STUD DIAMETER	MIN. FREE HEIGHT	WEIGHT
	(kg)	(mm)	(mm)	(mm)		(mm)		(mm)	(kg)
GPM6-6	1 - 20	91 x 52	65	6	2	8	M6	20	0.10
GPM7-12	20 - 120	112 x 64	75 - 89	8	2	12	M12	31	0.20
GPM7FS-12	20 - 120	112 x 64	75 - 89	8	2	12	M12	35	0.20
GPM10-12	40 - 250	140 x 75	98 - 110	12	2	12	M12	40	0.35
GPM10-16	40 - 250	140 x 75	98 - 110	12	2	12	M16	40	0.35
GPM10-1/2	40 - 250	140 x 75	98 - 110	12	2	12	1/2" (12.7mm)	40	0.35
GPM10FS-1/2	40 - 250	140 x 75	98 - 110	12	2	12	1/2" (12.7mm)	40	0.35
GPM10FS-12	40 - 250	140 x 75	98 - 110	12	2	12	M12	40	0.35
GPM13FS-16	50 - 300	140 x 75	98 - 110	12	2	15	M16	57	0.40
GPM15FS-16	75 - 300	180 x 98	120 - 140	12	2	20	M16	60	0.60
GPM15FS-20	75 - 300	180 x 98	120 - 140	12	2	20	M20	60	0.60
GPM20FS-20	70 - 900	240 x 127	178 - 186	16	2	25	M20	75	2.00

Specific mount performance data sheets are available at [isoflex.com.au](http://isoflex.com.au) and [isoflextech.com](http://isoflextech.com)

Copyright © 2022 Isoflex Technologies Pty Ltd.  
Specifications are subject to change without notice.

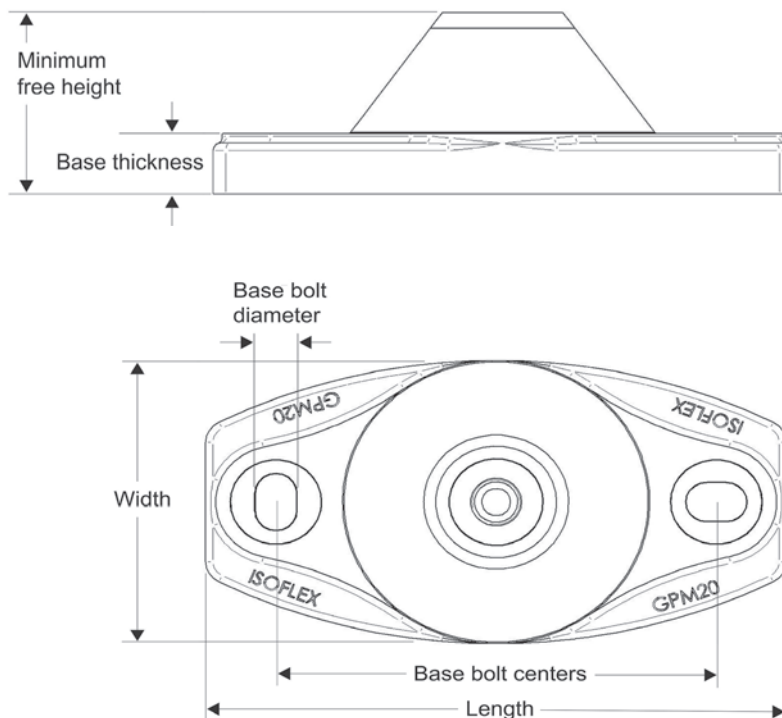
## GENERAL PURPOSE MACHINERY MOUNTS

Vibration control for non-thrust applications

### IMPERIAL DIMENSIONS

MOUNT	RECOMMENDED WORKING LOAD PER MOUNT	BASE FOOTPRINT L X W	BASE BOLT CENTERS	BASE BOLT DIAMETER	NO. OF BASE BOLTS	BASE THICKNESS	STUD DIAMETER	MIN. FREE HEIGHT	WEIGHT
	(lb)	(in)	(in)	(in)		(in)		(in)	(lb)
GPM6-6	2 - 44	3.58 x 3.02	2.55	1/4	2	0.31	M6 (1/4" approx)	0.79	0.2
GPM7-12	44 - 264	4.41 x 2.52	2.95 - 3.50	5/16	2	0.47	M12 (1/2" approx)	1.22	0.4
GPM7FS-12	44 - 264	4.41 x 2.52	2.95 - 3.50	5/16	2	0.47	M12 (1/2" approx)	1.38	0.4
GPM10-12	90 - 550	5.31 x 2.95	3.85 - 4.33	1/2	2	0.47	M12 (1/2" approx)	1.57	0.8
GPM10-16	90 - 550	5.31 x 2.95	3.85 - 4.33	1/2	2	0.47	M16 (5/8" approx)	1.57	0.8
GPM10-1/2	90 - 550	5.31 x 2.95	3.85 - 4.33	1/2	2	0.47	1/2"	1.57	0.8
GPM10FS-1/2	90 - 550	5.31 x 2.95	3.85 - 4.33	1/2	2	0.47	1/2"	1.57	0.8
GPM10FS-12	90 - 550	5.51 x 2.95	3.85 - 4.33	1/2	2	0.47	M12 (1/2" approx)	1.57	0.8
GPM13FS-16	110 - 660	5.51 x 2.95	3.85 - 4.33	1/2	2	0.59	M16 (5/8" approx)	2.24	0.9
GPM15FS-16	165 - 660	7.09 x 3.86	4.72 - 5.51	1/2	2	0.79	M16 (5/8" approx)	2.36	1.3
GPM15FS-20	165 - 660	7.09 x 3.86	4.72 - 5.51	1/2	2	0.79	M20 (3/4" approx)	2.36	1.3
GPM20FS-20	155 - 1980	9.45 x 5.00	7.01 - 7.32	5/8	2	0.98	M20 (3/4" approx)	2.95	4.4

### DIMENSIONS



## LIGHT MACHINERY MOUNTS

### Small equipment and machinery

Light machinery mounts are suitable for small pumps, electrical boards, water makers, HVAC, auxiliary equipment and many other machinery applications where vibration dampening is desired.

Isoflex light machinery mounts are supplied with a stainless steel 20mm long hex bolt and flat washer, a stainless steel 20mm diameter flat washer and stainless steel M6 flat washers.



### METRIC DIMENSIONS

MOUNT	RECOMMENDED WORKING LOAD PER MOUNT	BASE FOOTPRINT L X W	BASE BOLT CENTERS	BASE BOLT DIAMETER	NO. OF BASE BOLTS	BASE THICKNESS	STUD DIAMETER	MIN. FREE HEIGHT	WEIGHT
	(kg)	(mm)	(mm)	(mm)		(mm)		(mm)	(kg)
M5-6-YEL	1 - 10	70 x 40	50	6	2	6	M6	18	0.05
M5-6-RED	6 - 15	70 x 40	50	6	2	6	M6	18	0.05
M5-6-DBL	10 - 30	70 x 40	50	6	2	6	M6	18	0.05
M6-6-YEL	1 - 10	91 x 52	65	6	2	8	M6	20	0.05
M6-6-RED	6 - 20	91 x 52	65	6	2	8	M6	20	0.05
M6-6-DBL	10 - 30	91 x 52	65	6	2	8	M6	20	0.05
M6-8-YEL	1 - 10	91 x 52	65	6	2	8	M8	20	0.05
M6-8-RED	6 - 20	91 x 52	65	6	2	8	M8	20	0.05
M6-8-DBL	10 - 30	91 x 52	65	6	2	8	M8	20	0.05
M6-10-YEL	1 - 10	91 x 52	65	6	2	8	M10	20	0.05
M6-10-RED	6 - 20	91 x 52	65	6	2	8	M10	20	0.05
M6-10-DBL	10 - 30	91 x 52	65	6	2	8	M10	20	0.05



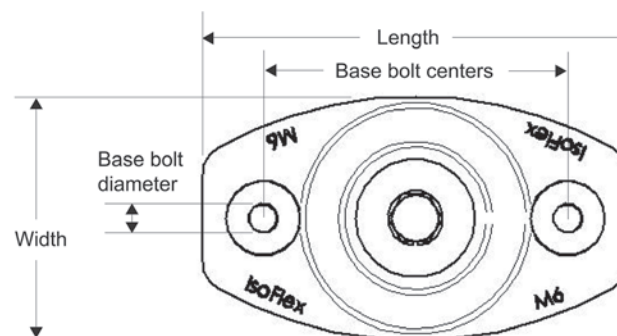
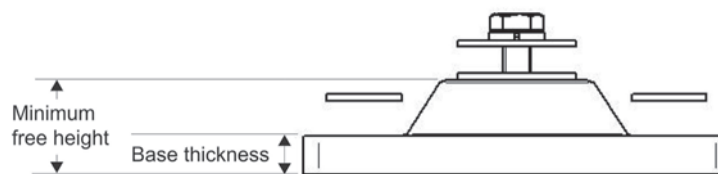
## LIGHT MACHINERY MOUNTS

*Small equipment and machinery*

### IMPERIAL DIMENSIONS

MOUNT	RECOMMENDED WORKING LOAD PER MOUNT	BASE FOOTPRINT L X W	BASE BOLT CENTERS	BASE BOLT DIAMETER	NO. OF BASE BOLTS	BASE THICKNESS	STUD DIAMETER	MIN. FREE HEIGHT	WEIGHT
	(lb)	(in)	(in)	(in)		(in)		(in)	(lb)
M5-6-YEL	2 - 22	2.76 x 1.57	1.97	1/4	2	0.24	M6 (1/4" approx)	0.71	0.11
M5-6-RED	13 - 33	2.76 x 1.57	1.97	1/4	2	0.24	M6 (1/4" approx)	0.71	0.11
M5-6-DBL	22 - 66	2.76 x 1.57	1.97	1/4	2	0.24	M6 (1/4" approx)	0.71	0.11
M6-6-YEL	2 - 22	3.58 x 2.05	2.56	1/4	2	0.31	M6 (1/4" approx)	0.79	0.11
M6-6-RED	13 - 44	3.58 x 2.05	2.56	1/4	2	0.31	M6 (1/4" approx)	0.79	0.11
M6-6-DBL	22 - 66	3.58 x 2.05	2.56	1/4	2	0.31	M6 (1/4" approx)	0.79	0.11
M6-8-YEL	2 - 22	3.58 x 2.05	2.56	1/4	2	0.31	M8 (5/16" approx)	0.79	0.11
M6-8-RED	13 - 44	3.58 x 2.05	2.56	1/4	2	0.31	M8 (5/16" approx)	0.79	0.11
M6-8-DBL	22 - 66	3.58 x 2.05	2.56	1/4	2	0.31	M8 (5/16" approx)	0.79	0.11
M6-10-YEL	2 - 22	3.58 x 2.05	2.56	1/4	2	0.31	M10 (3/8" approx)	0.79	0.11
M6-10-RED	13 - 44	3.58 x 2.05	2.56	1/4	2	0.31	M10 (3/8" approx)	0.79	0.11
M6-10-DBL	22 - 66	3.58 x 2.05	2.56	1/4	2	0.31	M10 (3/8" approx)	0.79	0.11

### DIMENSIONS



## CYLINDRICAL MOUNTS

### Light applications

Cylindrical mounts can be used to dampen vibration in light machinery and equipment, HVAC and similar applications.

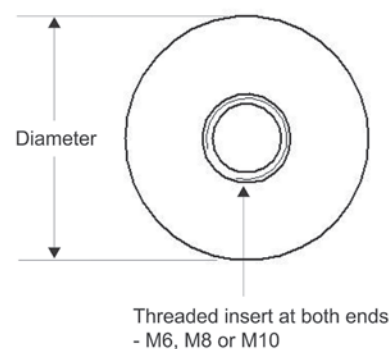
Isoflex cylindrical mounts have a threaded insert at both ends. Studs can be added upon request.



### METRIC DIMENSIONS

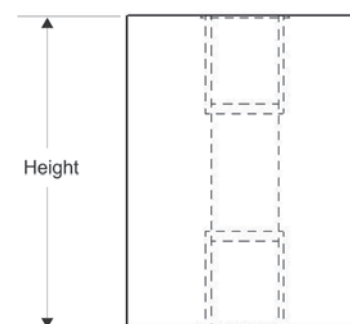
MOUNT	RECOMMENDED WORKING LOAD PER MOUNT	DIAMETER	STUD DIAMETER	MIN. FREE HEIGHT	WEIGHT
	(kg)	(mm)		(mm)	(kg)
CM6 - YEL	1 - 15	22	M6	32	0.02
CM6 - RED	1 - 40	22	M6	32	0.02
CM6 - BLK	20 - 50	22	M6	32	0.02
CM8 - YEL	1 - 30	27.5	M8	34.5	0.04
CM8 - RED	15 - 50	27.5	M8	34.5	0.04
CM8 - BLK	40 - 80	27.5	M8	34.5	0.04
CM10 - YEL	1 - 30	30	M10	40	0.07
CM10 - RED	15 - 50	30	M10	40	0.07
CM10 - BLK	40 - 80	30	M10	40	0.07

### DIMENSIONS



### IMPERIAL DIMENSIONS

MOUNT	RECOMMENDED WORKING LOAD PER MOUNT	DIAMETER	STUD DIAMETER	MIN. FREE HEIGHT	WEIGHT
	(lb)	(in)		(in)	(lb)
CM6 - YEL	2 - 33	0.87	M6 (1/4" approx)	1.26	0.05
CM6 - RED	2 - 88	0.87	M6 (1/4" approx)	1.26	0.05
CM6 - BLK	44 - 110	0.87	M6 (1/4" approx)	1.26	0.05
CM8 - YEL	2 - 66	1.08	M8 (5/16" approx)	1.36	0.09
CM8 - RED	33 - 110	1.08	M8 (5/16" approx)	1.36	0.09
CM8 - BLK	88 - 176	1.08	M8 (5/16" approx)	1.36	0.09
CM10 - YEL	2 - 66	1.18	M10 (3/8" approx)	1.57	0.15
CM10 - RED	33 - 110	1.18	M10 (3/8" approx)	1.57	0.15
CM10 - BLK	88 - 176	1.18	M10 (3/8" approx)	1.57	0.15



Copyright © 2022 Isoflex Technologies Pty Ltd.  
Specifications are subject to change without notice.

## DUAL COMPRESSION MOUNTS

*Applications with load in both directions*

Dual compression mounts are generally used for industrial equipment and applications such as power units, industrial engines, material handling equipment, operator's cabins and other equipment.

Isoflex dual compression mounts are designed for applications where there is load in both directions. Like all Isoflex products, these are made of corrosion-resistant engineering polymer, which has superior longevity and performance over standard rubber isolators.

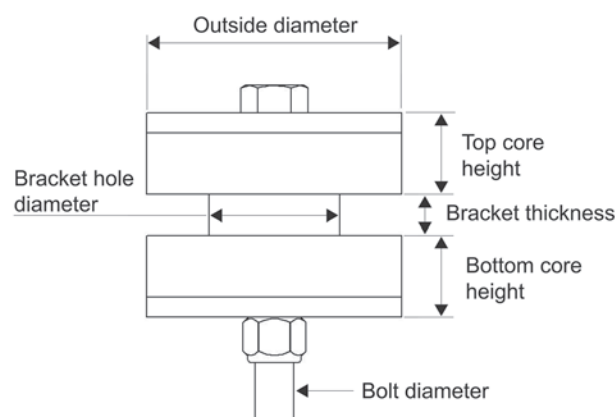


### METRIC DIMENSIONS

MOUNT	OUTSIDE DIAMETER	BRACKET HOLE DIAMETER	BRACKET THICKNESS	BOLT DIAMETER	TOP CORE HEIGHT	BOTTOM CORE HEIGHT	WEIGHT	WORKING LOAD YEL DURO	WORKING LOAD RED DURO	WORKING LOAD BLK DURO	WORKING LOAD DBL DURO
	(mm)	(mm)	(mm)		(mm)	(mm)	(kg)	(kg)	(kg)	(kg)	(kg)
MT30201010	30	20	10	M10	17.5	17.5	0.4	5 - 50	50 - 100	N/A	N/A
MT48321012	48	32	10	M12	23	23	0.2	15 - 60	60 - 100	N/A	N/A
MT48321412	48	32	14	M12	23	19	0.2	15 - 60	60 - 100	N/A	N/A
MT58401012	58	40	10	M12	12	12	0.2	20 - 70	70 - 120	N/A	N/A
MT66381616	66	38	16	M16	19	19	2.6	50 - 140	90 - 190	140 - 300	N/A
MT70381916	70	38	19	M16	18.5	9.5	2.6	40 - 150	150 - 350	350 - 750	N/A
MT70381920	70	38	19	M20	18.5	9.5	2.7	40 - 150	150 - 350	350 - 750	N/A
MT75381214F*	75	38	12	M14	28	28	2.6	80 - 190	150 - 350	350 - 750	N/A
MT75381214T*	75	38	12	M14	38	18	2.6	50 - 100	80 - 200	200 - 350	N/A
MT75401616	75	40	16	M16	28	28	2.0	50 - 100	150 - 350	350 - 650	N/A
MT125601234*	125	60	12	3/4"	40	38	3.1	330 - 550	550 - 930	930 - 1350	1350 - 2000
MT125642034*	125	64	20	3/4"	40	40	3.1	330 - 550	550 - 930	930 - 1350	1350 - 2000

\* A bolt and nyloc nut (nylon insert lock nut) are supplied with these models.

### DIMENSIONS



## DUAL COMPRESSION MOUNTS

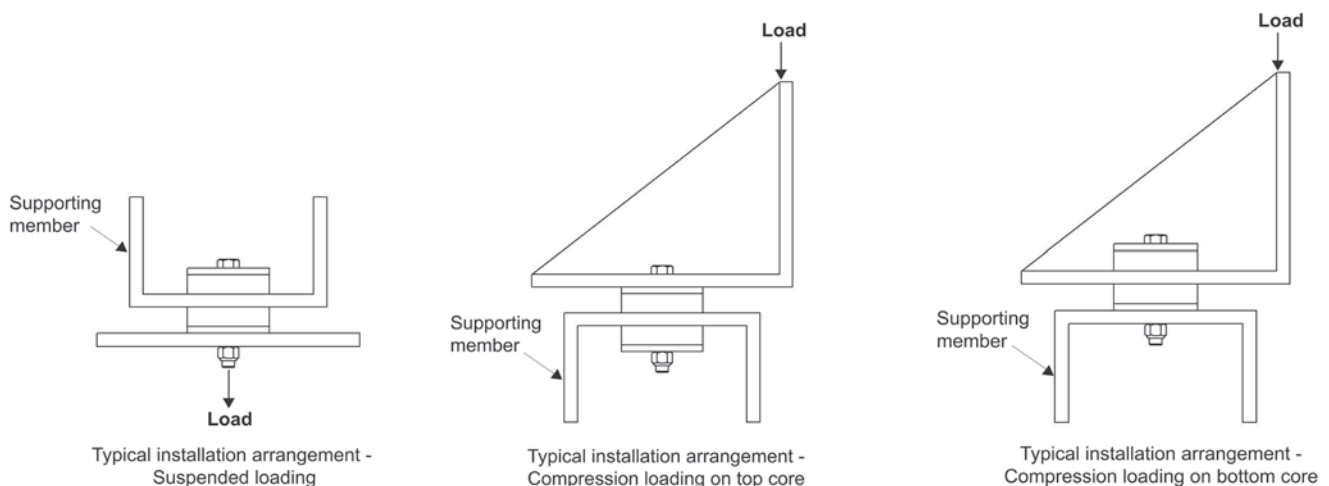
Applications with load in both directions

### IMPERIAL DIMENSIONS

MOUNT	OUTSIDE DIAMETER	BRACKET HOLE DIAMETER	BRACKET THICKNESS	BOLT DIAMETER	TOP CORE HEIGHT	BOTTOM CORE HEIGHT	WEIGHT	WORKING LOAD YEL DURO	WORKING LOAD RED DURO	WORKING LOAD BLK DURO	WORKING LOAD DBL DURO
	(in)	(in)	(in)		(in)	(in)	(lb)	(lb)	(lb)	(lb)	(lb)
MT30201010	1.18	0.79	0.39	M10 (3/8" approx)	0.69	0.69	0.9	10 - 110	110-220	N/A	N/A
MT48321012	1.89	1.26	0.39	M12 (1/2" approx)	0.91	0.91	0.4	30 - 130	130 - 220	N/A	N/A
MT48321412	1.89	1.26	0.55	M12 (1/2" approx)	0.91	0.75	0.4	30 - 130	130 - 220	N/A	N/A
MT58401012	2.28	1.57	0.39	M12 (1/2" approx)	0.47	0.47	0.4	40 - 150	150 - 260	N/A	N/A
MT66381616	2.60	1.50	0.63	M16 (5/8" approx)	0.75	0.75	5.7	110 - 330	200 - 400	300 - 660	N/A
MT70381916	2.76	1.50	0.75	M16 (5/8" approx)	0.73	0.37	5.7	90 - 330	330 - 770	770 - 1650	N/A
MT70381920	2.76	1.50	0.75	M20 (3/4" approx)	0.73	0.37	6.0	90 - 330	330 - 770	770 - 1650	N/A
MT75381214F*	2.95	1.50	0.47	M14 (9/16" approx)	1.10	1.10	5.7	175 - 400	330 - 770	770 - 1650	N/A
MT75381214T*	2.95	1.50	0.47	M14 (9/16" approx)	1.50	0.71	5.7	110 - 220	175 - 440	440 - 750	N/A
MT75401616	2.95	1.57	0.63	M16 (5/8" approx)	1.10	1.10	4.4	110 - 220	330 - 770	770 - 1430	N/A
MT125601234*	4.92	2.36	0.47	3/4"	1.57	1.50	6.8	700 - 1200	1200 - 2050	2050 - 2970	2970 - 4400
MT125642034*	4.92	2.52	0.79	3/4"	1.57	1.57	6.8	700 - 2050	1200 - 2050	2050 - 2970	2970 - 4400

\* A bolt and nyloc nut (nylon insert lock nut) are supplied with these models.

### Load Types



Copyright © 2022 Isoflex Technologies Pty Ltd.  
Specifications are subject to change without notice.



## SUPERSTRUCTURE & WHEELHOUSE MOUNTS

*For Heavy Duty Commercial Vessels*

Isoflex superstructure mounts provide vibration and electrical isolation of superstructure and wheelhouses from vessel hulls. Applications include extreme duty pilot boats and passenger ferries.

- Engineering polymer and 316 stainless steel components prevent rot and rust.
- Mounts can be tuned by changing the working core to suit specific applications.
- Dimensions, including height, can be varied in some cases.
- Tested in all axes including inversion.
- Fail-safe construction.



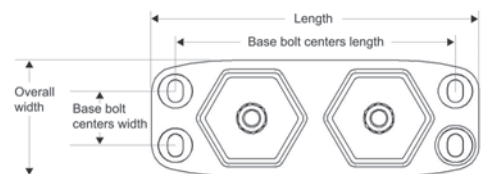
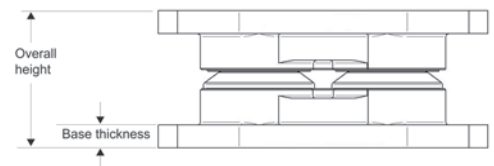
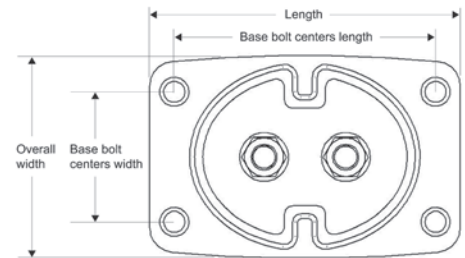
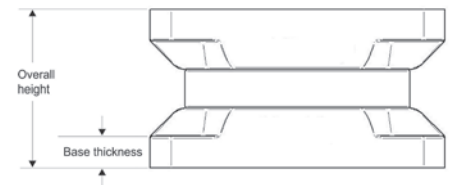
### METRIC DIMENSIONS

MOUNT	RECOMMENDED WORKING LOAD PER MOUNT	BASE FOOTPRINT L X W	BASE BOLT CENTERS	BASE BOLT DIAMETER	BASE THICKNESS	OVERALL HEIGHT	WEIGHT
	(kg)	(mm)	(mm)	(mm)	(mm)	(mm)	(kg)
MSS-10	100 - 500	200 x 100	170 x 60	12	20	110	2.2
MSS-12XHT	100 - 800	190 x 125	160 x 80	12	20	100	2.8
MSS-16	200 - 1600	220 x 220	170 x 170	16	25	100	5.4
MSSD-22	200 - 1600	250 x 200	200 x 160	12	20	100	5.8
M75-16SS	100 - 300	177 x 98	127	12	20	100	1.5
M125-20SS	300 - 1000	240 x 127	170	16	25	166	3.8
M130-20SS	300 - 1000	240 x 127	182	16	25	125	3.4
MD125-20SS	600 - 2000	370 x 127	308	16	25	166	7.8
MD128-20SS	600 - 2000	360 x 127	308 x 60	16	25	148	7.8

### IMPERIAL DIMENSIONS

MOUNT	RECOMMENDED WORKING LOAD PER MOUNT	BASE FOOTPRINT L X W	BASE BOLT CENTERS	BASE BOLT DIAMETER	BASE THICKNESS	OVERALL HEIGHT	WEIGHT
	(lb)	(in)	(in)	(in)	(in)	(in)	(lb)
MSS-10	220 - 1100	7.87 x 3.94	6.69 x 2.36	1/2	0.79	4.3	4.9
MSS-12XHT	220 - 1760	7.48 x 4.92	6.30 x 3.15	1/2	0.79	3.9	6.2
MSS-16	440 - 3530	8.66 x 8.66	6.69 x 6.69	5/8	0.98	3.94	11.9
MSSD-22	440 - 3530	9.84 x 7.87	7.87 x 6.30	1/2	0.79	3.94	12.8
M75-16SS	220 - 660	6.97 x 3.86	5.00	1/2	0.79	3.9	3.3
M125-20SS	660 - 2200	9.45 x 5.00	6.69	5/8	0.98	6.5	8.4
M130-20SS	220 - 660	9.45 x 5.00	7.17	5/8	0.98	4.9	7.5
MD125-20SS	1300 - 4400	14.57 x 5.00	12.13	5/8	0.98	6.5	17.2
MD128-20SS	1300 - 4400	14.17 x 5.00	12.13 x 2.36	5/8	0.98	5.8	17.2

### DIMENSIONS



## TRUNNION MOUNTS

*Adjustable systems for high demand applications*

Isoflex trunnion mounts provide a fully adjustable mounting system for high demand applications: tugboats, patrol boats, ferries, yachts and super yachts.

- Fully adjustable with easily accessible CAM adjusters (no need for shims).
- Variable elliptical elastomer polymers allow for fine tuning the system for thrust and engine/gearbox mass.
- Mounts can be arranged in a single, double or triple arrangement.
- Customized to handle thrust from 0 to 20 tons.
- Tailored integral brackets replace the need for other fabricated brackets on most gearboxes.
- Excellent resistance to oil, fuel, water.
- All trunnion mounts can be made to a compact configuration if required for installation with tight spacing environments.

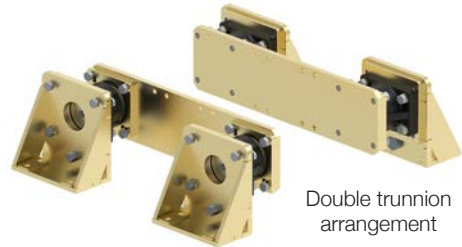
*NOTE: As this is a custom product, contact Isoflex directly with your specifications.*



Single trunnion arrangement



(Compact trunnion configuration)



Double trunnion arrangement

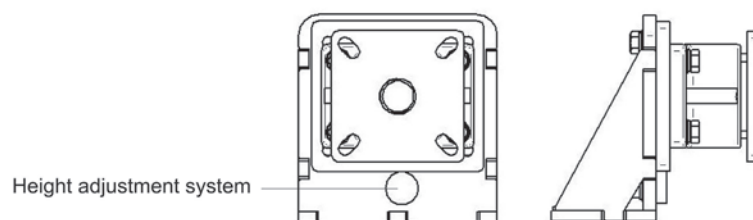
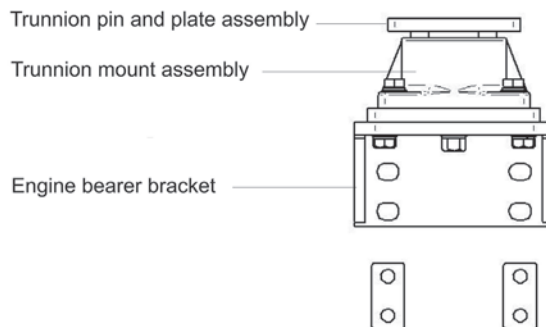


Triple trunnion arrangement



Double trunnion arrangement installation

## COMPONENTS



Height adjustment system

## ADJUSTING STUD MOUNTS

### Classic M Mount Series

Single stud mounts are used for standard applications where vibration dampening is required: marine engines, diesel engines, generators, machinery, pumps, etc. The Isoflex M Series is the original mount which has been superceded by the new generation IFV and MDV Series (pages 7 through 13). Isoflex M Series mounts can be ordered for special applications and rebuild kits.



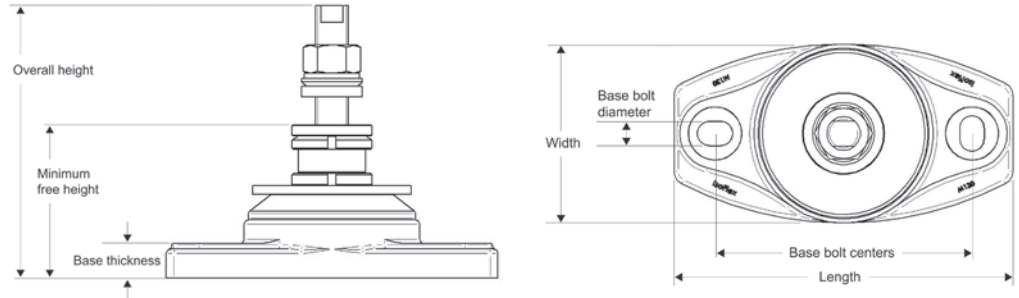
### METRIC DIMENSIONS

MOUNT	RECOMMENDED WORKING LOAD PER MOUNT	BASE FOOTPRINT L X W	BASE BOLT CENTERS	BASE BOLT DIAMETER	NO. OF BASE BOLTS	BASE THICKNESS	STUD DIAMETER	MIN. FREE HEIGHT	OVERALL HEIGHT	WEIGHT
	(kg)	(mm)	(mm)	(mm)		(mm)		(mm)	(mm)	(kg)
MDC30-16S	30 - 120	220 x 74	174	12	2	20	M16	97	155	1.3
M55-12S	25 - 200	134 x 75	102	10	2	14.5	M12	65	105	0.5
M55-16S	25 - 200	134 x 75	102	10	2	14.5	M16	68	127	0.6
M75-16S	75 - 300	177 x 98	127	12	2	20	M16	86	140	1.2
M75-20S	75 - 300	177 x 98	127	12	2	20	M20	92	160	1.3
M85-16S	75 - 300	190 x 98	140	12	2	20	M16	86	140	1.2
M85-20S	75 - 300	190 x 98	140	12	2	20	M20	92	160	1.3
M90-20S	75 - 350	177 x 100	127	12	2	20	M20	104	172	1.4
M90-24S	75 - 350	177 x 100	127	12	2	20	M24	104	196	1.6
M100-20S	75 - 350	188 x 110	140	12	2	20	M20	104	172	1.8
M100-24S	75 - 350	188 x 110	140	12	2	20	M24	104	196	2.0
M110-20S	75 - 350	220 x 106	170	16	2	25	M20	122	190	2.0
M110-24S	75 - 350	220 x 106	170	16	2	25	M24	122	214	2.4
M125HD-20S	250 - 750	240 x 127	170	16	2	25	M20	134	196	2.4
M125HD-24S	250 - 750	240 x 127	170	16	2	25	M24	134	220	3.2
M125XHD-24S	600 - 1000	240 x 127	170	16	2	25	M24	134	220	3.2
M127HD-20S	250 - 750	240 x 127	182	16	2	25	M20	134	196	2.8
M127HD-24S	250 - 750	240 x 127	182	16	2	25	M24	134	220	3.2
M127XHD-24S	600 - 1000	240 x 127	182	16	2	25	M24	134	220	3.2
M130HD-20S	250 - 750	240 x 127	182	16	2	25	M20	110	172	2.4
M130HD-24S	250 - 750	240 x 127	182	16	2	25	M24	110	196	2.9
M130HDLP-20S	250 - 750	240 x 127	182	16	2	25	M20	86	172	2.6
M130HDLP-24S	250 - 750	240 x 127	182	16	2	25	M24	89	196	3.1
M130XHD-24S	600 - 1000	240 x 127	182	16	2	25	M24	110	196	2.9
M130XHDL-24S	600 - 1000	240 x 127	182	16	2	25	M24	89	196	3.1
M136HD-24S	500 - 1200	240 x 145	182	16	2	25	M24	134	220	5.2
M139HD-24S	500 - 1200	236 x 147	185 x 65	16	4	25	M24	124	210	5.4

## ADJUSTING STUD MOUNTS

### Classic M Mount Series

### DIMENSIONS



### IMPERIAL DIMENSIONS

MOUNT	RECOMMENDED WORKING LOAD PER MOUNT	BASE FOOTPRINT L X W	BASE BOLT CENTERS	BASE BOLT DIAMETER	NO. OF BASE BOLTS	BASE THICKNESS	STUD DIAMETER	MIN. FREE HEIGHT	OVERALL HEIGHT	WEIGHT
	(lb)	(in)	(in)	(in)		(in)		(in)	(in)	(lb)
MDC30-16S	65 - 265	8.66 x 2.91	6.85	1/2	2	0.79	M16 (5/8" approx)	3.82	6.10	2.9
M55-12S	55 - 440	5.28 x 2.95	4.00	3/8	2	0.57	M12 (1/2" approx)	2.56	4.13	1.1
M55-16S	55 - 440	5.28 x 2.95	4.00	3/8	2	0.57	M16 (5/8" approx)	2.68	5.00	1.3
M75-16S	165 - 660	6.97 x 3.86	5.00	1/2	2	0.79	M16 (5/8" approx)	3.39	5.51	2.6
M75-20S	165 - 660	6.97 x 3.86	5.00	1/2	2	0.79	M20 (3/4" approx)	3.62	6.30	2.9
M85-16S	165 - 660	7.48 x 3.86	5.51	1/2	2	0.79	M16 (5/8" approx)	3.39	5.51	2.6
M85-20S	165 - 660	7.48 x 3.86	5.51	1/2	2	0.79	M20 (3/4" approx)	3.62	6.30	2.9
M90-20S	165 - 770	6.97 x 3.94	5.00	1/2	2	0.79	M20 (3/4" approx)	4.09	6.77	3.1
M90-24S	165 - 770	6.97 x 3.94	5.00	1/2	2	0.79	M24 (1" approx)	4.09	7.72	3.5
M100-20S	165 - 770	7.40 x 3.94	5.51	1/2	2	0.79	M20 (3/4" approx)	4.09	6.77	4.0
M100-24S	165 - 770	7.40 x 3.94	5.51	1/2	2	0.79	M24 (1" approx)	4.09	7.72	4.4
M110-20S	165 - 770	8.66 x 4.17	6.69	5/8	2	0.98	M20 (3/4" approx)	4.80	7.48	4.4
M110-24S	165 - 770	8.66 x 4.17	6.69	5/8	2	0.98	M24 (1" approx)	4.80	8.43	5.3
M125HD-20S	550 - 1650	9.45 x 5.00	6.69	5/8	2	0.98	M20 (3/4" approx)	5.28	7.72	5.3
M125HD-24S	550 - 1650	9.45 x 5.00	6.69	5/8	2	0.98	M24 (1" approx)	5.28	8.66	7.0
M125XHD-24S	1320 - 2200	9.45 x 5.00	6.69	5/8	2	0.98	M24 (1" approx)	5.28	8.66	7.0
M127HD-20S	550 - 1650	9.45 x 5.00	7.17	5/8	2	0.98	M20 (3/4" approx)	5.28	7.72	6.2
M127HD-24S	550 - 1650	9.45 x 5.00	7.17	5/8	2	0.98	M24 (1" approx)	5.28	8.66	7.0
M127XHD-24S	1320 - 2200	9.45 x 5.00	7.17	5/8	2	0.98	M24 (1" approx)	5.28	8.66	7.0
M130HD-20S	550 - 1650	9.45 x 5.00	7.17	5/8	2	0.98	M20 (3/4" approx)	4.33	6.77	5.3
M130HD-24S	550 - 1650	9.45 x 5.00	7.17	5/8	2	0.98	M24 (1" approx)	4.33	7.72	6.4
M130HDLP-20S	550 - 1650	9.45 x 5.00	7.17	5/8	2	0.98	M20 (3/4" approx)	3.39	6.77	5.7
M130HDLP-24S	550 - 1650	9.45 x 5.00	7.17	5/8	2	0.98	M24 (1" approx)	3.50	7.72	6.8
M130XHD-24S	1320 - 2200	9.45 x 5.00	7.17	5/8	2	0.98	M24 (1" approx)	4.33	7.72	6.4
M130XHDLP-24S	1320 - 2200	9.45 x 5.00	7.17	5/8	2	0.98	M24 (1" approx)	3.50	7.72	6.8
M136HD-24S	1100 - 2640	9.45 x 5.71	7.17	5/8	2	0.98	M24 (1" approx)	5.28	8.66	11.4
M139HD-24S	1100 - 2640	9.29 x 5.79	7.28 x 2.56	5/8	4	0.98	M24 (1" approx)	4.88	8.27	11.9



## ADJUSTING STUD MOUNTS (Double and Bridge Style) Classic M Mount Series

Double and bridge mounts are generally used for applications with high weight demands and/or higher thrust loads. They can be used in situations where six-mount systems have been used previously. These mounts make adjustment easier and more accurate, and work very well for V-drive engines for added stability.

Used in marine and high performance applications including pilot boats, crew patrol boats, high speed RHIBS, fishing and dive vessels, pleasure craft and military spec. The Isoflex M Series is the original mount which has been superseded by the new generation IFV and MDV Series (pages 7 through 13). *M Series Mounts are available on special request.*



### METRIC DIMENSIONS - DOUBLE STUD

MOUNT	RECOMMENDED WORKING LOAD PER MOUNT	BASE FOOTPRINT L X W	BASE BOLT CENTERS	BASE BOLT DIAMETER	NO. OF BASE BOLTS	BASE THICKNESS	STUD DIAMETER	DISTANCE BETWEEN STUDS	MIN. FREE HEIGHT	OVERALL HEIGHT	WEIGHT
	(kg)	(mm)	(mm)	(mm)		(mm)		(mm)	(mm)	(mm)	(kg)
MD90-20DS	300 - 700	280 x 100	230	12	2	20	2 x M20	90	104	172	4.0
MD100-24DS	300 - 700	300 x 100	250	12	2	20	2 x M24	110	104	196	4.5
MD125HD-24DS	500 - 1500	370 x 128	308	16	2	25	2 x M24	140	134	220	6.3
MD125XHD-24DS	1200 - 2000	370 x 128	308	16	2	25	2 x M24	140	134	220	6.4
MD128HD-24DS	500 - 1500	360 x 128	308 x 60	16	4	25	2 x M24	140	134	220	6.4
MD128XHD-24DS	1200 - 2000	360 x 128	308 x 60	16	4	25	2 x M24	140	134	220	6.5
MD130HD-24DS	500 - 1500	520 x 127	445	20	2	23	2 x M24	241	108	194	14.3
MD130XHD-24DS	1200 - 2000	520 X 127	445	20	2	23	2 X M24	241	108	194	14.3
MQ130HD-24DS	1000 - 3000	650 x 127	575	20	3	23	2 x M24	261	106	200	15.3

### IMPERIAL DIMENSIONS - DOUBLE STUD

MOUNT	RECOMMENDED WORKING LOAD PER MOUNT	BASE FOOTPRINT L X W	BASE BOLT CENTERS	BASE BOLT DIAMETER	NO. OF BASE BOLTS	BASE THICKNESS	STUD DIAMETER	DISTANCE BETWEEN STUDS	MIN. FREE HEIGHT	OVERALL HEIGHT	WEIGHT
	(lb)	(in)	(in)	(in)		(in)		(in)	(in)	(in)	(lb)
MD90-20DS	660 - 1540	11.02 x 3.94	9.06	1/2	2	0.79	2 x M20 (3/4" approx)	3.54	4.09	6.77	8.8
MD100-24DS	660 - 1540	11.81 x 3.94	9.84	1/2	2	0.79	2 x M24 (1" approx)	4.33	4.09	7.72	9.9
MD125HD-24DS	1100 - 3300	14.57 x 5.04	12.13	5/8	2	0.98	2 x M24 (1" approx)	5.51	5.28	8.66	13.9
MD125XHD-24DS	2640 - 4400	14.57 x 5.04	12.13	5/8	2	0.98	2 x M24 (1" approx)	5.51	5.28	8.66	14.1
MD128HD-24DS	1100 - 3300	14.17 x 5.04	12.13 x 2.36	5/8	4	0.98	2 x M24 (1" approx)	5.51	5.28	8.66	14.1
MD128XHD-24DS	2640 - 4400	14.17 x 5.04	12.13 x 2.36	5/8	4	0.98	2 x M24 (1" approx)	5.51	5.28	8.66	14.3
MD130HD-24DS	1100 - 3300	20.47 x 5.00	17.52	3/4	2	0.91	2 x M24 (1" approx)	9.49	4.25	7.64	31.5
MD130XHD-24DS	2640 - 4400	20.47 x 5.00	17.52	3/4	2	0.91	2 x M24 (1" approx)	9.49	4.25	7.64	31.5
MQ130HD-24DS	2200 - 6600	25.59 x 5.00	22.64	3/4	4	0.91	2 x M24 (1" approx)	10.28	4.17	7.87	33.7

## ADJUSTING STUD MOUNTS (Double and Bridge Style)

### Classic M Mount Series

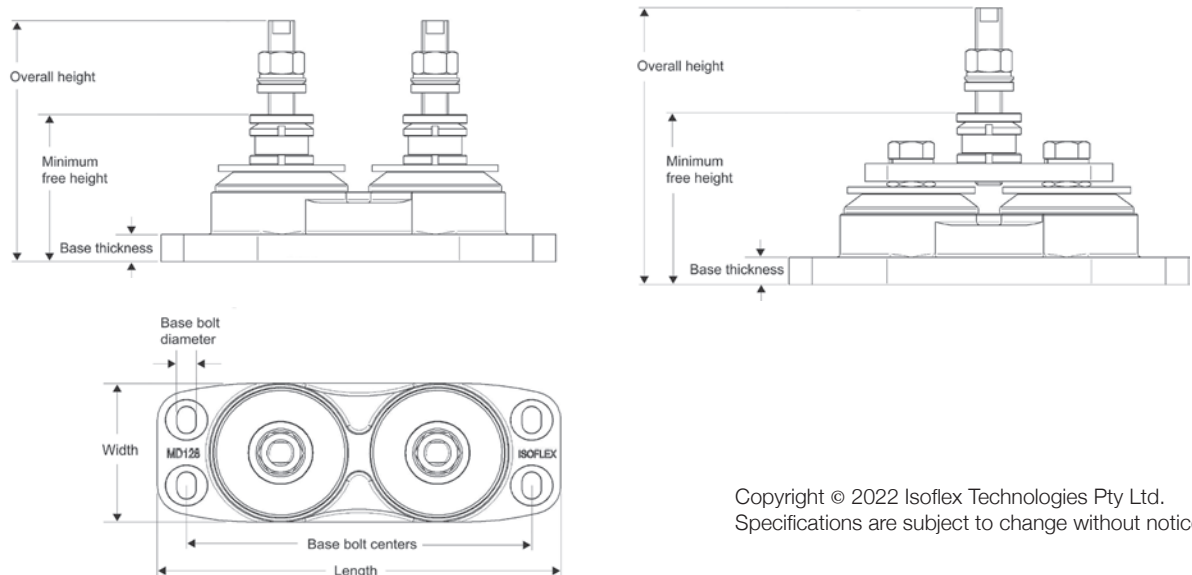
#### METRIC DIMENSIONS - BRIDGE STYLE

MOUNT	RECOMMENDED WORKING LOAD PER MOUNT	BASE FOOTPRINT L X W	BASE BOLT CENTERS	BASE BOLT DIAMETER	NO. OF BASE BOLTS	BASE THICKNESS	STUD DIAMETER	MIN. FREE HEIGHT	OVERALL HEIGHT	WEIGHT
	(kg)	(mm)	(mm)	(mm)		(mm)		(mm)	(mm)	(kg)
MD100-24SB	300 - 700	300 x 100	250	12	2	20	M24	116	220	4.5
MD125HD-24SB	500 - 1500	370 x 128	308	16	2	25	M24	155	250	6.3
MD125XHD-24SB	1200 - 2000	370 x 128	308	16	2	25	M24	155	250	6.4
MD128HD-24SB	500 - 1500	360 x 128	308 x 60	16	4	25	M24	155	250	6.2
MD128XHD-24SB	1200 - 2000	360 x 128	308 x 60	16	4	25	M24	155	250	6.5
MD130HD-24SB	500 - 1500	520 x 127	445	20	2	23	M24	106	200	14.1
MD130XHD-24SB	1200 - 2000	520 x 127	445	20	2	23	M24	106	200	14.1

#### IMPERIAL DIMENSIONS - BRIDGE STYLE

MOUNT	RECOMMENDED WORKING LOAD PER MOUNT	BASE FOOTPRINT L X W	BASE BOLT CENTERS	BASE BOLT DIAMETER	NO. OF BASE BOLTS	BASE THICKNESS	STUD DIAMETER	MIN. FREE HEIGHT	OVERALL HEIGHT	WEIGHT
	(lb)	(in)	(in)	(in)		(in)		(in)	(in)	(lb)
MD100-24SB	660 - 1540	11.81 x 3.94	9.84	1/2	2	0.79	M24 (1" approx)	4.57	8.66	9.9
MD125HD-24SB	1100 - 3300	14.57 x 5.04	12.13	5/8	2	0.98	M24 (1" approx)	6.10	9.84	13.9
MD125XHD-24SB	2640 - 4400	14.57 x 5.04	12.13	5/8	2	0.98	M24 (1" approx)	6.10	9.84	14.1
MD128HD-24SB	1100 - 3300	14.17 x 5.04	12.13 x 2.36	5/8	4	0.98	M24 (1" approx)	6.10	9.84	13.6
MD128XHD-24SB	2640 - 4400	14.17 x 5.04	12.13 x 2.36	5/8	4	0.98	M24 (1" approx)	6.10	9.84	14.3
MD130HD-24SB	1100 - 3300	20.47 x 5.00	17.52	3/4	2	0.91	M24 (1" approx)	4.17	7.87	31.0
MD130XHD-24SB	2640 - 4400	20.47 x 5.00	17.52	3/4	2	0.91	M24 (1" approx)	4.17	7.87	31.0

## DIMENSIONS



Copyright © 2022 Isoflex Technologies Pty Ltd.  
Specifications are subject to change without notice.

## BOLT-DOWN MOUNTS

### Classic M Mount Series

Bolt-down engine and machinery mounts are designed for marine, generators, watermakers and industrial machinery. The Classic M Series of bolt-down mounts have been superseded by the Isoflex IFV Mount Series. *M Series mounts are available on special request.*



#### METRIC DIMENSIONS

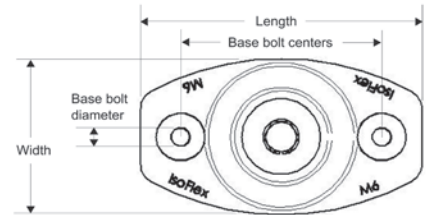
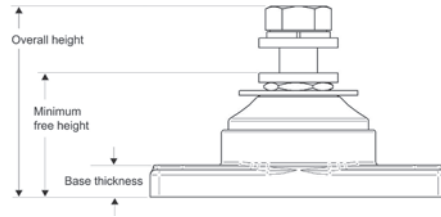
MOUNT	RECOMMENDED WORKING LOAD PER MOUNT	BASE FOOTPRINT L X W	BASE BOLT CENTERS	BASE BOLT DIAMETER	BASE THICKNESS	BOLT DIAMETER	MIN. FREE HEIGHT	WEIGHT
	(kg)	(mm)	(mm)	(mm)	(mm)		(mm)	(kg)
M55-12B	25 - 200	134 x 75	102	10	14.5	M12	60	0.4
M55-16B	25 - 200	134 x 75	102	10	14.5	M16	60	0.5
M75-16B	75 - 300	177 x 98	127	12	20	M16	62	1.1
M75-20B	75 - 300	177 x 98	127	12	20	M20	62	1.5
M85-16B	75 - 300	190 x 98	140	12	20	M16	62	1.2
M85-20B	75 - 300	190 x 98	140	12	20	M20	62	1.6
M90-20B	75 - 350	177 x 100	127	12	20	M20	75	1.3
M90-24B	75 - 350	177 x 100	127	12	20	M24	78	1.6
M100-20B	75 - 350	188 x 100	140	12	20	M20	75	1.5
M100-24B	75 - 350	188 x 100	140	12	20	M24	78	1.7
M110-20B	75 - 350	220 x 106	170	16	25	M20	93	1.8
M110-24B	75 - 350	220 x 106	170	16	25	M24	96	2.0
M125HD-20B	250 - 750	240 x 127	170	16	25	M20	97	2.2
M125HD-24B	250 - 750	240 x 127	170	16	25	M24	100	2.2
M125XHD-24B	600 - 1000	240 x 127	170	16	25	M24	100	3.1
M127HD-20B	250 - 750	240 x 127	182	16	25	M20	97	2.2
M127HD-24B	250 - 750	240 x 127	182	16	25	M24	100	2.2
M127XHD-24B	600 - 1000	240 x 127	182	16	25	M24	100	3.0
M130HD-20B	250 - 750	240 x 127	182	16	25	M20	75	2.2
M130HD-24B	250 - 750	240 x 127	182	16	25	M24	78	2.7
M130HDLP-24B	250 - 750	240 x 127	182	16	25	M24	72	2.2
M130XHD-24B	600 - 1000	240 x 127	182	16	25	M24	78	2.7
M130XHDLP-24B	600 - 1000	240 x 127	182	16	25	M24	72	2.2
M136HD-24B	500 - 1200	240 x 145	182	16	25	M24	100	3.7
M139HD-24B	500 - 1200	236 x 147	185 x 65	16	25	M24	87	3.8
M140HD-24B	600 - 1600	240 x 145	182	16	25	M24	85	4.2
MD125HD-24DB*	500 - 1500	370 x 128	308	16	25	2 x M24	100	5.1
MD125XHD-24DB*	1200 - 2000	370 x 128	308	16	25	2 x M24	100	5.9

\*Double stud

## BOLT-DOWN MOUNTS

Classic M Mount Series

### DIMENSIONS



### IMPERIAL DIMENSIONS

MOUNT	RECOMMENDED WORKING LOAD PER MOUNT	BASE FOOTPRINT L X W	BASE BOLT CENTERS	BASE BOLT DIAMETER	BASE THICKNESS	BOLT DIAMETER	MIN. FREE HEIGHT	WEIGHT
	(lb)	(in)	(in)	(in)	(in)		(in)	(lb)
M55-12B	55 - 440	5.28 x 2.95	4.00	3/8	0.57	M12 (1/2" approx)	2.36	0.9
M55-16B	55 - 440	5.28 x 2.95	4.00	3/8	0.57	M16 (5/8" approx)	2.36	1.1
M75-16B	165 - 660	6.97 x 3.86	5.00	1/2	0.79	M16 (5/8" approx)	2.44	2.4
M75-20B	165 - 660	6.97 x 3.86	5.00	1/2	0.79	M20 (3/4" approx)	2.44	3.3
M85-16B	165 - 660	7.48 x 3.86	5.51	1/2	0.79	M16 (5/8" approx)	2.44	2.6
M85-20B	165 - 660	7.48 x 3.86	5.51	1/2	0.79	M20 (3/4" approx)	2.44	3.5
M90-20B	165 - 770	6.97 x 3.94	5.00	1/2	0.79	M20 (3/4" approx)	2.95	2.9
M90-24B	165 - 770	6.97 x 3.94	5.00	1/2	0.79	M24 (1" approx)	3.07	3.5
M100-20B	165 - 770	7.40 x 3.94	5.51	1/2	0.79	M20 (3/4" approx)	2.95	3.3
M100-24B	165 - 770	7.40 x 3.94	5.51	1/2	0.79	M24 (1" approx)	3.07	3.7
M110-20B	165 - 770	8.66 x 4.17	6.69	5/8	0.98	M20 (3/4" approx)	3.66	4.0
M110-24B	165 - 770	8.66 x 4.17	6.69	5/8	0.98	M24 (1" approx)	3.78	4.4
M125HD-20B	550 - 1650	9.45 x 5.00	6.69	5/8	0.98	M20 (3/4" approx)	3.82	4.8
M125HD-24B	550 - 1650	9.45 x 5.00	6.69	5/8	0.98	M24 (1" approx)	3.94	4.8
M125XHD-24B	1320 - 2200	9.45 x 5.00	6.69	5/8	0.98	M24 (1" approx)	3.94	6.8
M127HD-20B	550 - 1650	9.45 x 5.00	7.17	5/8	0.98	M20 (3/4" approx)	3.82	4.8
M127HD-24B	550 - 1650	9.45 x 5.00	7.17	5/8	0.98	M24 (1" approx)	3.94	4.8
M127XHD-24B	1320 - 2200	9.45 x 5.00	7.17	5/8	0.98	M24 (1" approx)	3.94	6.6
M130HD-20B	550 - 1650	9.45 x 5.00	7.17	5/8	0.98	M20 (3/4" approx)	2.95	4.8
M130HD-24B	550 - 1650	9.45 x 5.00	7.17	5/8	0.98	M24 (1" approx)	3.07	5.9
M130HDLP-24B	550 - 1650	9.45 x 5.00	7.17	5/8	0.98	M24 (1" approx)	2.83	4.8
M130XHD-24B	1320 - 2200	9.45 x 5.00	7.17	5/8	0.98	M24 (1" approx)	3.07	5.9
M130XHDL-24B	1320 - 2200	9.45 x 5.00	7.17	5/8	0.98	M24 (1" approx)	2.83	4.8
M136HD-24B	1100 - 2640	9.45 x 5.71	7.17	5/8	0.98	M24 (1" approx)	3.94	8.1
M139HD-24B	1100 - 2640	9.29 x 5.79	7.28 x 2.56	5/8	0.98	M24 (1" approx)	3.43	8.4
M140HD-24B	1320 - 3 520	9.45 x 5.59	7.17	5/8	0.98	M24 (1" approx)	3.35	9.2
MD125HD-24DB*	1100 - 3300	14.57 X 5.04	12.13	5/8	0.98	2 x M24 (1" approx)	3.94	11.2
MD125XHD-24DB*	2640 - 4400	14.57 x 5.04	12.13	5/8	0.98	2 x M24 (1" approx)	3.94	13.0

\*Double stud

## ENGINE MOUNT CROSS REFERENCE GUIDE

### Common Engine Makes/Models

This guide includes an overview of common engine makes and models, and the corresponding Isoflex engine mount. Our range is not limited to these makes and models: Isoflex offers solutions for more than 500 engines, optimized for pleasure and light commercial applications. If you can't find your model here, please contact Isoflex directly.

*NOTE: Isoflex offers custom solutions for heavy commercial use.*

MANUFACTURER / MODEL #	ISOFLEX MOUNT	# MOUNTS	HARDNESS
------------------------	---------------	----------	----------

CATERPILLAR			
<i>Current Models</i>			
C7.1	IFV90-20S	4	LBL
C8.7, C9.3, C12, C12 ACERT	IFV127HD-24S	4	DBL
C12.9	IFV127XHD-24S	4	DBL
3406C-TA	IFV125XHD-24S	4	LBL
C18 ACERT	IFV125XHD-24S + MDV125HD-24DS	2 + 2	DBL + LBL
C32 ACERT	IFV136XHD-24S + MDV125XHD-24DS	2 + 2	DBL + DBL
<i>Older Models</i>			
3126-TA	IFV75-20S	4	LBL
3406E-TA, 3408C-TA	IFV125XHD-24S	4	LBL
3412C-TA	IFV136XHD-24S + MDV125XHD-24DS	2 + 2	LBL + LBL
C7, C7-ACERT	IFV90-24S	4	BLK
C9, C9-ACERT	IFV90-24S	4	LBL
C15	IFV125XHD-24S + MDV125HD-24DS	2 + 2	DBL + BLK
C15 ACERT	IFV125XHD-24S + MDV125HD-24DS		LBL + BLK
C18	IFV125XHD-24S + MDV125HD-24DS		DBL + BLK
C30, C32	IFV136XHD-24S + MDV125XHD-24DS	2 + 2	GRN + LBL
3208-T	IFV90-20S	4	LBL
3208-TA	IFV90-20S	4	DBL

CUMMINS			
<i>Diamond Series</i>			
4B Series	IFV85-16S	4	RED
6B 5.9 series	IFV75-20S	4	LBL
6C series	IFV90-24S	4	BLK
<i>Quantum Series</i>			
QSB5.9	IFV75-20S	4	LBL
QSB6.7	IFV90-24S	4	LBL
QSC8.3	IFV90-24S	4	DBL
QSD4.2	IFV85-16S	4	BLK
QSL9	IFV100-24S	4	DBL
QSM11	IFV90-24S	4	GRN
X15	IFV127XHD-24S	4	LBL/DBL
<i>Commercial Series</i>			
KT19M2	IFV130XHD-24S	6	DBL
KTA19M, KTA19M2, KTA19M3, KTA19M4	IFV130XHD-24S	6	GRN

MANUFACTURER / MODEL #	ISOFLEX MOUNT	# MOUNTS	HARDNESS
------------------------	---------------	----------	----------

CUMMINS			
cont'd			
QSK19 - M	IFV139XHD-24S	4	DBL
VTA28M, KT38M0, KTA38M1, KTA38M2, QSK38M-MCRS, QSK38M1-MCRS	MDV125XHD-24S	4	GRN
KTA50M2	MDV125XHD-24S	4	GRY
QSK60 - M	MDV128XHD-24S	8	GRY
<i>Older Models</i>			
V-555-M	IFV130HD-24S	4	LBL
V-903-M	IFV130XHD-24S	4	LBL

DETROIT			
Series 60	IFV127XHD-24S	4	LBL
6V53 TI	IFV75-20S	4	DBL
6V71 TA	IFV130HD-24S	4	LBL
6V71 TA, 6V92 TA	IFV130HD-24S	4	DBL
8V92 TA	IFV130XHD-24S	4	DBL
8-2T	IFV75-20S	4	LBL
12V71 TA	IFV130XHD-24S + IFV130HD-24S	6	DBL + BLK
12V92 TA	IFV130XHD-24S + IFV130HD-24S	6	GRN + LBL
16V92 TA	IFV130XHD-24S + IFV130HD-24S	6	GRN + DBL
Contact Isoflex to confirm details for all Detroit engines.			

FPT (FIAT IVECO)			
C78 200 (C78 ENS M20) C78 300 (C78 ENT M30)	IFV130HD-20S	4	BLK
C78 550 (C78 ENT M55) C90 380 (C87ENT M38) C90 620 (C87 ENT M62)	IFV130HD-20S	4	LBL
C13 330 (C13 ENS M33) C13 500 (C13 ENT M50) C13 770 (C13 ENT M77) C13 825 (C13 ENT M82)	IFV130XHD-20S	4	LBL
S30 230 (S30 EMT M23)	IFV55-16S	4	BLK
N40 250 (N40 ENT M25) N45 100 (N45 NMA M10)	IFV85-16S	4	ORG
N60 370 (N60 ENT M37) N60 400 (N60 ENT M40) N60 480 (N60 ENT M40) N67 150 (N67 MNA M15) N67 220 (N67 MNS M22) N67 280 (N67 MNT M28) N67 450 (N67 ENT M45) N67 560 (N67 ENT M56)	IFV75-20S	4	BLK

## ENGINE MOUNT CROSS REFERENCE GUIDE

### Common Engine Makes/Models

MANUFACTURER / MODEL #	ISOFLEX MOUNT	# MOUNTS	HARDNESS
<b>JOHN DEERE</b>			Front   Rear
4045SFM85 M5	IFV90-20S	4	LBL   RED
6068SFM75 M5 6068AFM85 M4 6068SFM85 M5	IFV90-20S	4	DBL   BLK
6081AFM75 M4	IFV90-20S	4	DBL   DBL
6090SFM75 M4 6090AFM85 M5 6090SFM85 M5	IFV127HD-20S	4	LBL   LBL
6125SFM75 M4 6135AFM75 M4 6135SFM75 M5 6135AFM85 M4 6135SFM85 M5	IFV127XHD-24S	4	DBL   BLK

MAN			
D2876LE404	IFV130HD-20S	4	DBL
D 2842 LE 401 D 2842 LE413	IFV130XHD-24S + IFV130HD-24S	6	DBL + BLK
V8-900CRM	IFV130XHD-20S	4	LBL
V10-1100CRM	IFV136XHD-24S	4	BLK
V12-1360	IFV136XHD-24S	4	LBL
V12-1550	IFV136XHD-24S	6	LBL-BLK

A variety of mounts are available for MAN engines. Contact Isoflex for more information.

NANNI			
3.110 KC	IFV55-16S	4	RED
4.195 HE, 5.280 KC	IFV85-16S	4	YEL
4.390 TDI	IFV85-16S	4	RED
6.660 LE	IFV85-20S	4	BLK

MERCURUISER			
Stern drive Petrol 350 Magnum_Gen 300	IFV55-16S	2	GRN
Ski_Petrol 350 Magnum MPI 280	IFV55-16S	4	GRN
Stern drive Diesel_D 2.8L 150 L6	IFV85-16S	2	LBL
Inboard Diesel _D 4.2L 210 L6	IFV85-16S	2	LBL

MTU			
8V 2000 M72 to M93	IFV136XHD-24S	4	BLK
10V 2000 M72 to M94	IFV136XHD-24S	4	LBL
12V 2000 M60 to M94	IFV136XHD-24S	6	BLK
16V 2000 M60 to M94	MDV130XHD-24DS	4	LBL
6R 183 TE92	IFV130XHD-24S	4	BLK
8V 183 TE93	IFV130XHD-24S	4	LBL

MANUFACTURER / MODEL #	ISOFLEX MOUNT	# MOUNTS	HARDNESS
<b>PERKINS</b>			
4236	IFV85-16S	4	ORG
6HD185	IFV85-16S	4	BLK
M300TI, M130C Commercial	IFV130HD-20S	4	ORG

SCANIA			Front   Rear
DI9	IFV130HD-20	4	BLK   ORG
DI12	IFV130HD-20	4	LBL   BLK
DI13	IFV130XHD-20S	4	LBL   ORG
DI16	IFV130XHD-20S	4	DBL   BLK

Contact Isoflex for more details specific to Scania engines and mounting options.

STEYR			
MO54NA33	IFV85-16S	4	YEL
MO156K25, MO306H43WJ, MO306H43, MO236K43	IFV85-16S	4	RED

VOLVO			
2010, 2020	IFV55-16S	4	YEL
2030	IFV55-16S	4	RED
2040	IFV85-16S	4	YEL
MD17D	IFV55-16S	4	ORG
MD22L, MD22, TMD22	IFV85-16S	4	YEL
TMD31L, TAMD31L, TAMD31P	IFV85-16S	4	RED
AD30P(Zdrive), AD31P(Zdrive), AD40P/DP(Zdrive)	IFV55-16S	2	BLK
AD41P/DP(Zdrive)	IFV85-16S	2	ORG
AQOD40B, TAMD40, TMD41L, TAMD41P, KAMD42P, KAMD42WJ(jetdrive)	IFV85-16S	4	ORG
KAD42SLD(Zdrive)	IFV85-16S	2	ORG
KAD43	IFV85-16S	4	ORG
KAD44P	IFV85-16S	2	ORG
TAMD60B	IFV85-16S	4	LBL
TAMD61A	IFV130HD- 0S	4	BLK
TAMD61P	IFV130HD-20S	2	BLK
TAMD63L	IFV130HD-20S	4	BLK
TAMD63P	IFV130HD-20S	2	BLK
TAMD71B, TAMD72	IFV130HD-20S	4	BLK
TAMD75P	IFV130HD-20S	2	BLK
TAMD72WJ(jetdrive)	IFV130HD-20S	4	BLK
TAMD163P	IFV130XHD-20S	4	LBL



## ENGINE MOUNT CROSS REFERENCE GUIDE

### Common Engine Makes/Models

MANUFACTURER / MODEL #	ISOFLEX MOUNT	# MOUNTS	HARDNESS
<b>VOLVO</b>	new		
D1-13	IFV55-16S	4	YEL
D1-13S	IFV55-16S	2	YEL
D1-20	IFV55-16S	4	YEL
D1-20S	IFV55-16S	2	RED
D1-30	IFV55-16S	4	RED
D1-30S	IFV55-16S	2	ORG
D2-40	IFV85-16S	4	YEL
D2-40S	IFV85-16S	2	YEL
D2-55	IFV85-16S	4	YEL
D2-55S	IFV85-16S	2	YEL
D2-75	IFV85-16S	4	YEL
D2-75S	IFV85-16S	2	YEL
D3-110, D3-130	IFV85-16S	4	RED
D3-130SX	IFV85-16S	2	RED
D3-160	IFV85-16S	4	RED
D3-160DP	IFV85-16S	2	RED
D3-190	IFV85-16S	4	RED
D3-190DP	IFV85-16S	2	RED
D3-200	IFV85-16S	4	RED
D4-180, D4-225	IFV85-16S	4	BLK
D4-225DP	IFV85-16S	2	BLK
D4-260	IFV85-16S	4	BLK
D4-260DP	IFV85-16S	2	BLK
D4-300	IFV85-16S	4	BLK
D4-300DPR	IFV85-16S	2	BLK
D6-280	IFV130HD - 20S	4	ORG
D6-280DP	IFV130HD - 20S	2	ORG
D6-310	IFV130HD - 20S	4	ORG
D6-310DPR	IFV130HD - 20S	2	ORG
D6-330	IFV130HD - 20S	4	ORG
D6-330DP	IFV130HD - 20S	2	ORG
D6-370	IFV130HD - 20S	4	ORG
D6-370DP	IFV130HD - 20S	2	ORG
D6-435	IFV130HD - 20S	4	ORG
D9-500, D9-575	IFV130HD - 20S	4	LBL
D11-670, D12-675, D12-715, D12-800, D13-800	IFV127XHD - 20S	4	BLK
D113 IPS	IFV130XHD - 20S	4	BLK
IPS1200	IFV130XHD - 20S	4	BLK
IPS1050	IFV130XHD - 20S	4	BLK

MANUFACTURER / MODEL #	ISOFLEX MOUNT	# MOUNTS	HARDNESS
<b>WESTERBEKE</b>			
30C	IFV75-16S	4	YEL
44C	IFV75-16S	4	YEL

MANUFACTURER / MODEL #	ISOFLEX MOUNT	# MOUNTS	HARDNESS
<b>YANMAR</b>			
YSE8, YSE12	IFV55-16S	4	RED
YSM8	IFV55-16S	4	YEL
YSM12, 2QM15, 2QM20	IFV55-16S	4	RED
3QM30	IFV55-16S	4	ORG
2GM20, 2GM20F, 2YM15	IFV30-16S	4	RED
3GM30, 3GM30F, 3HM35, 3YM20, 3YM30, 3JH2-BE, 3JH4E, 3JH2-TBE, 3JH2-TE, 3JH4E	IFV30-16S	4	ORG
4JH2-BE, 4JH2-TBE, 4JH2-HTE, 4JH2-DTE, 4JH2-UTBE, 4JH2-UTE, 4JH3-HTE, 4JH4E	IFV30-16S	4	ORG
4LH-TE, 4LH-HTE, 4LH-DTE, 4LH-STE	IFV110-20S	4	RED
4LHA-HTP, 4LHA-DTP, 4LHA-STP	IFV90-20S	4	RED
6LP-DTE, 6LP-STE	IFV90-24S	4	ORG Front/ RED Rear
6LPA - DTZP	IFV90-24S	2	ORG
6LPA-DTP	IFV90-24S	4	ORG Front/ RED Rear
6LPA-STP	IFV90-24S	2	ORG
6LYA, 6LYA-STP, 6LY2A-STP, 6LYM-UTE, 6LY-UTE, 6LY3A-STP	IFV110-24S	4	BLK
6CXM GTE, 6CX ETE	IFV130HD-24S	4	BLK
6SY-STP	IFV130HD-24S	4	DBL
6HYM-WGT	MDV90-20DS + IFV90-20S	2 + 4	BLK
6AY-ETE	IFV139XHD-24	6	BLK
8SY-STP	IFV130XHD-24	4	DBL

Many more engines are available on the full engine mount application guide. Visit [isoflex.com.au](http://isoflex.com.au) or [isoflextech.com](http://isoflextech.com) or contact Isoflex for details. Check mount dimensions as dimensions can vary due to variation in original fitting.

**NOTE: COMMERCIAL APPLICATIONS NEED CLOSE ATTENTION DUE TO HIGH DEMAND AND THRUST. PLEASE CONFIRM WITH ISOFLEX.**

Isoflex has made every effort to identify direct replacement mounts for common marine engines. However, these may vary due to original specification and suppliers. It is the responsibility of the end user/customer to check correctness of fit and duty cycle, etc.



**Isoflex Technologies Pty Ltd**

11/75 Waterway Drive • Coomera, QLD 4209 • Australia 1300 366 393

International +61 7 5556 0924 • E: [info@isoflex.com.au](mailto:info@isoflex.com.au)

[isoflex.com.au](http://isoflex.com.au)

**Isoflex Technologies International, LLC**

3434 SW 15th Street, Unit B • Deerfield Beach, FL 33442 • USA 561-210-5170

Toll Free 888-327-9260 • E: [info@isoflextech.com](mailto:info@isoflextech.com)

[isoflextech.com](http://isoflextech.com)

Authorised Distributor

